

EP-IL45

Ethernet Surge Protector

In-Line Surge Protection
For High-Speed
Ethernet Circuits

Low Capacitance Solid
State Protection Elements

Low Voltage Balanced Solid
State Surge Protection

Modular Design for
Easy Connection to an
Ethernet Network

Listed to UL 497B



EP-IL45 is an in-line ethernet surge protector module specifically designed for high-speed data networks. The low capacitance balanced solid state surge protection elements provide superior surge protection. The circuit utilizes high energy absorbing solid state surge protection elements.

KEY PRODUCT BENEFITS

- ▶ Modular design with RJ-45 connectors provides a seamless connection to networks
- ▶ Grounding terminal hole provides necessary means for connecting protectors ground to approved ground
- ▶ Low capacitance solid state balanced surge protection provides superior low clamp voltage surge protection

INDUSTRY STANDARDS

- ▶ UL 497B, Protection elements comply to IEC 61000-4 requirements

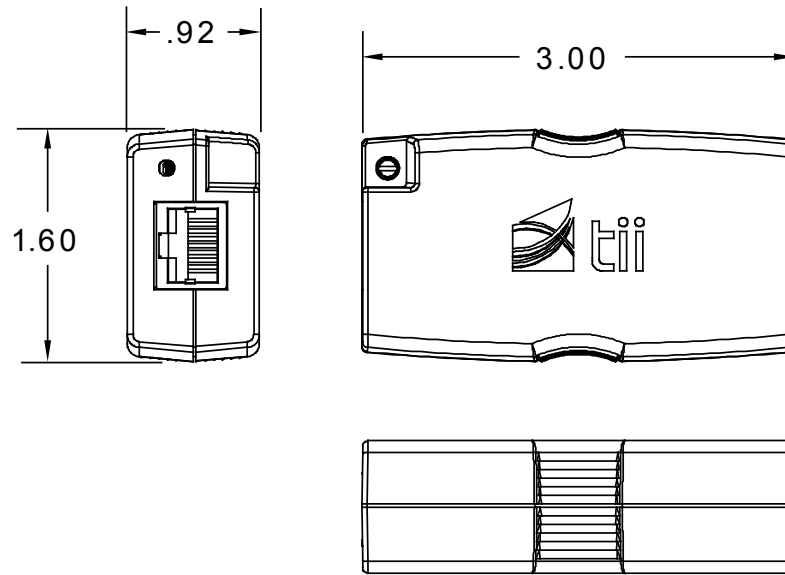


Tii Technologies Inc.

Corporate Headquarters:

141 Rodeo Drive
Edgewood, NY 11717
Phone: 631.789.5000
Fax: 631.789.5063
Toll Free: 888.844.4720
sales@tiitech.com

EP-IL45



Dimensions are in Inches

SPECIFICATIONS

Maximum Clamping Voltage (8/20MS)	20.0 Volts
Minimum Clamping Voltage	6.8 Volts
Capacitance between I/O pins @ 1MHz	8 pF typical
Capacitance between I/O pin to ground @ 1MHz	16pF
Peak Pulse Power (8/20MS)	2000 watts
Storage/Operating Temperature	-55° - 85°C
Input to Output Resistance	< 1 ohm

ORDERING INFORMATION

Model No.	Description
EP-IL45	Ethernet Surge Protector