

# B1, 322 & 382

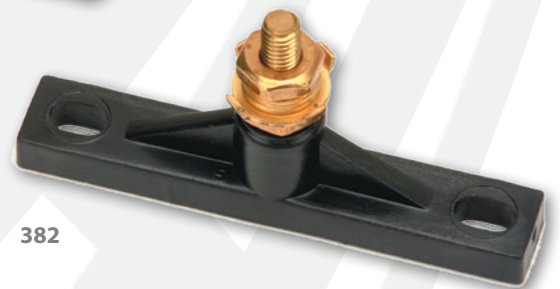
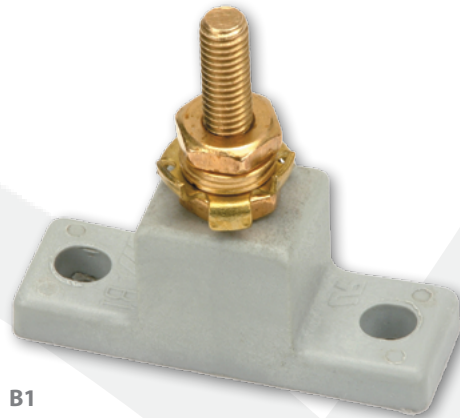
## Module Adapters

Use Safely in  
Indoor Installations  
Without an Enclosure

Use Safely in Outdoor  
Installations in Station  
Protectors and NIDs

Molded of Thermoplastic  
Material (UL 94VO Rated)

Complete with Mounting  
Screws, Ground Stud, Nut  
and Washer



When a station protector is used indoors, it can be mounted without a cover or other enclosure. The tii Module Adapters are designed to allow tii's Protector Modules to be mounted in an indoor installation without a protective enclosure. Module Adapters can also be used in a wide variety of Network Interface Housings. The adapter mounts either one or two modules.

### KEY PRODUCT BENEFITS

- ▶ Tii Module Adapters provide a UL listed indoor mounting arrangement for tii's protector modules without an enclosure.
- ▶ Adapters feature a sturdy thermoplastic base with a molded-in ground stud to anchor the modules and provide a ground point for the station ground wire and modules
- ▶ The adapters may be fastened to any suitable mounting surface by two-inch #8 screws

*Note: though similar in appearance to the 382, the 322 module adapter is not suitable for indoor mounting of protector modules without an enclosure. It is not UL listed in that arrangement, but it is UL listed in a station protector and NID housings.*

### INDUSTRY STANDARDS

- ▶ UL Listed for indoor installations with no enclosure required
- ▶ UL Listed for outdoor installations in station protectors and NIDS

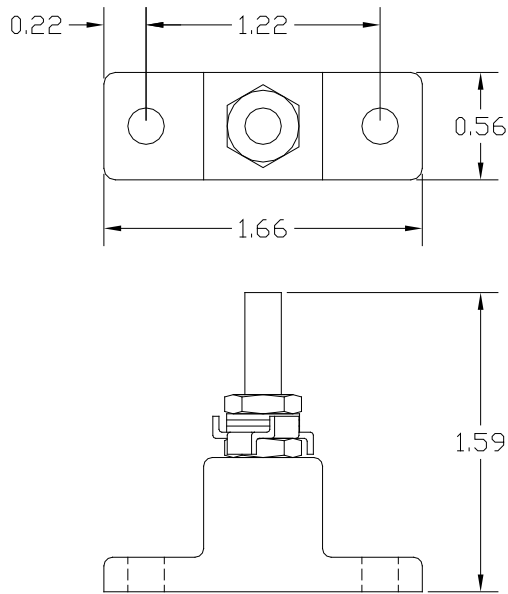


**Tii Technologies Inc.**

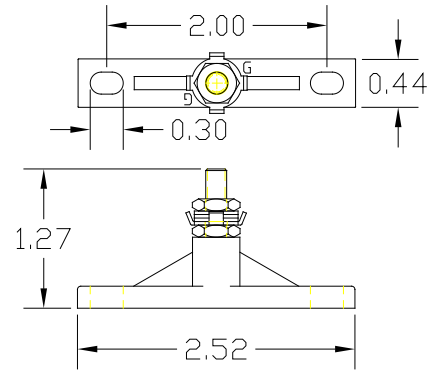
**Corporate Headquarters:**

141 Rodeo Drive  
Edgewood, NY 11717  
Phone: 631.789.5000  
Fax: 631.789.5063  
Toll Free: 888.844.4720  
sales@tiitech.com

# B1, 322 & 382



**B1**



**322 & 382**

*Dimensions are in Inches*

## ORDERING INFORMATION

<b>Model No.</b>	<b>Description</b>	<b>Standard Pkg.</b>
<b>B1</b>	Mounting Adapter for Protector Modules	100 pieces - 0.45 lbs each
<b>322</b>	Mounting Adapter (for enclosure)	50 pieces - 0.035 lbs each
<b>382</b>	Mounting Adapter	50 pieces - 0.035 lbs each