

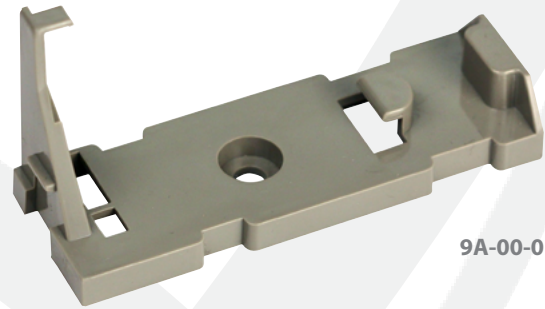
9A-00-0 Series

Customer Bridge Module Adapter

Designed to Retrofit
Tii Customer Bridge Modules
Into Corning Cable Systems
CAC 7600 Series NIDs

Molded of ABS Plastic
Material (UL 94V0 Rated)

No Tools Required



9A-00-0

9A-00-0 Customer Bridge Module Adapters are designed to retrofit Tii customer bridge modules (CBMs) into Corning Network Interface Devices.

KEY PRODUCT BENEFITS

- ▶ Tii's 9A-00-0 adapter enables universal compatibility of the Tii customer bridge modules into service provider's installed NID base
- ▶ Eliminates the need for stocking multiple foot print customer bridge modules



Tii Technologies Inc.

Corporate Headquarters:

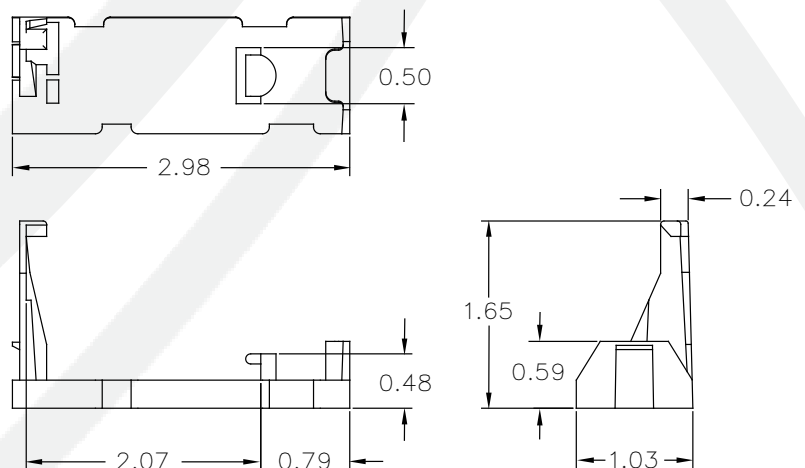
141 Rodeo Drive
Edgewood, NY 11717

Phone: 631.789.5000

Fax: 631.789.5063

Toll Free: 888.844.4720

sales@tiitech.com



Dimensions are in Inches