

98

Coax Service Module (CSM)

Available With Tii's In-Line®
Coaxial Gas Tube Protectors

Conveniently Fits Into Tii
Network Interface Devices

Common Ground Point
Termination

Meets SCTE Specification
IPS-SP-400

Listed to UL 497C

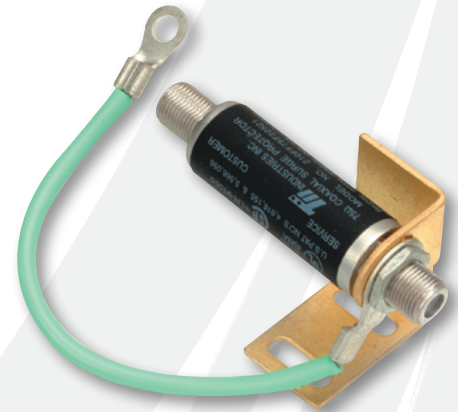


Tii Technologies Inc.

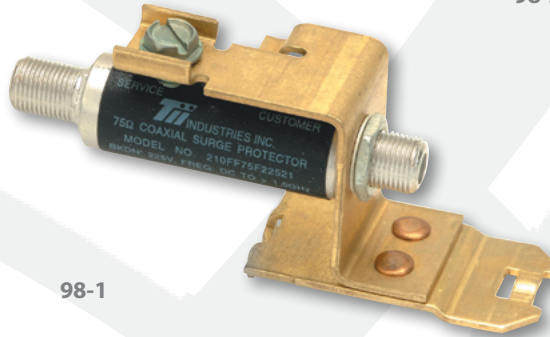
Corporate Headquarters:

141 Rodeo Drive
Edgewood, NY 11717
Phone: 631.789.5000
Fax: 631.789.5063
Toll Free: 888.844.4720
sales@tiitech.com

www.tiitech.com



98-2-2-1



98-1

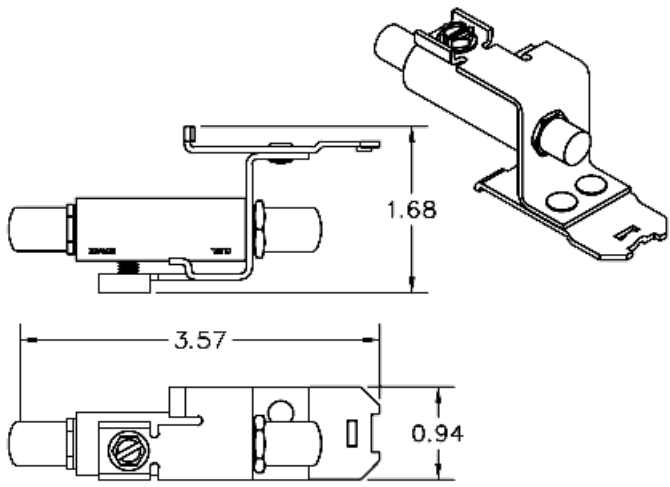
The 98 Coax Service Module (CSM) provides a protected or unprotected coax connection in Tii's series of Outdoor Broadband Network Interface Devices (NIDs).

KEY PRODUCT BENEFITS

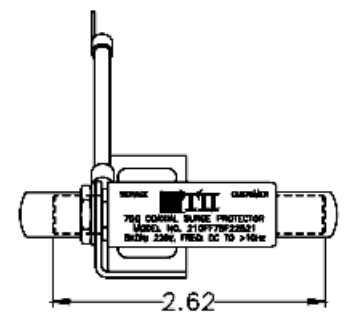
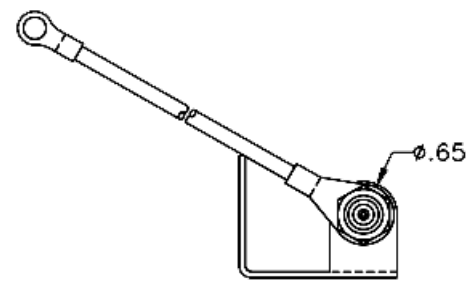
- ▶ The 98-1 is completely interchangeable with Tii's 95 Series Customer Bridge Modules and can be snapped into any customer bridge module position in Tii's NID
- ▶ The 98-2 can be mounted in the Telco side of the NID
- ▶ To simplify termination of coax cable in the NID, the coax can be terminated to the CSM exterior to the NID. Once the coax is attached to the CSM, it can then be easily snapped into place. This unique feature provides adequate space to connect and install the coax cable
- ▶ Protected CSM contains the Tii Coaxial In-Line® Surge Protector 210FF75F22521 to protect personnel and customer premise equipment from lightning and power induced surges
- ▶ Protector is designed for today's high bandwidth services. The frequency range is DC - 1.5 GHz. The insertion loss is less than 0.1 dB, and the return loss is better than -30 dB, up to 1 GHz.

INDUSTRY STANDARDS

- ▶ Listed to UL 497C



98-1



98-2-2-1

Dimensions are in Inches

SPECIFICATIONS

R.F. Performance	DC – 1.0 GHz	1.0 GHz – 1.5 GHz	1.0 GHz – 1.5 GHz
Characteristic Impedance	75 Ohms		75 Ohms
Insertion Loss (includes Flatness)	< 0.1 dB		< 0.2 dB
Return Loss	30 dB		20 dB

ORDERING INFORMATION

Model No.	Description	—X	—X	—X
98	Type	Coax Protector	Options	
	1 = Customer CSM 2 = Telco CSM	0 = Unprotected 1 = Protected Customer CSM 2 = Protected Telco CSM	0 = None 1 = Ground Jumper	