

97FB-S

VDSL POTS Splitter Module with VDSL Output on Coax Port

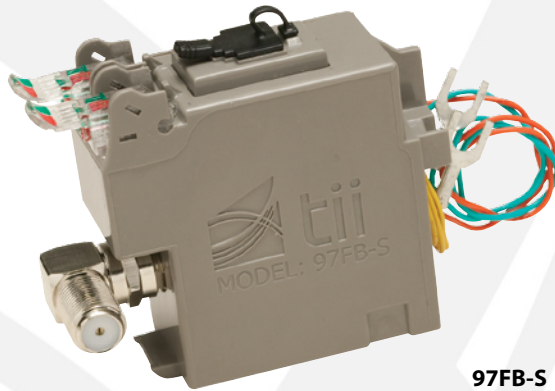
Universal Compatibility with
Tii, Tyco, Corning, AFL/Keptel
Network Interface Devices

Occupies Single Slot in the NID

Utilizes Tii's Switchable RJ-11 Jack
(Auto-Jack®)

Meets IPTV Ring Trip Saturation
Current Requirements for xDSL
Circuits

VDSL Output on 75 Ohm
F-Type Coax Connector



97FB-S

The **97FB-S** VDSL POTS Splitter Module splits the combined voice and data signal carried on telephone lines. POTS output is provided on a dual IDC connector, and VDSL output on a 75 Ohm female "F" coax connector. The balanced twisted pair input signal is impedance matched to a single ended coax VDSL output which is lowpass filtered to 8.5MHz, allowing for coexistence with 12-28MHz HPNA signals on a single coax wire. The 97FB-S module also provides the Tii Auto-Jack®, a switchable RJ-11 jack, as the customer demarcation point.

KEY PRODUCT BENEFITS

- ▶ Designed for use at the subscriber premise in a Network Interface Device (NID).
- ▶ Device can be mounted in a wide variety of NIDs in the customer access compartment, occupying a single slot.
- ▶ May be installed adjacent to or in place of existing POTS (Plain Old Telephone Service) customer bridge module.
- ▶ VDSL Digital Subscriber Line provides high-bit-rate digital information over telephone subscriber lines. The Tii 97FB-S splitter design makes it possible to use a single phone line to provide triple play services including VDSL and IPTV.
- ▶ Coax output port is band limited to 8.5MHz, allowing coax wire to simultaneously carry 12-28MHz HPNA signals.
- ▶ The 97FB-S utilizes DC blocking components to eliminate the possibility of high voltage appearing on the coax port. The VDSL signals go through a multi-pole low pass filter and impedance matching, as well as a balanced to unbalanced conversion, before appearing on the coax port.
- ▶ Tii's Auto-Jack®, a switchable RJ-11 jack, provides a demarcation point for the customer's telephone line and access to C.O. dial tone.
- ▶ Rotatable F-connector enables universal NID compatibility.

INDUSTRY STANDARDS

- ▶ ANSI T1.424 and G993.2 Compliant
- ▶ Designed to meet UL 1863 Standards



Tii Technologies Inc.

Corporate Headquarters:

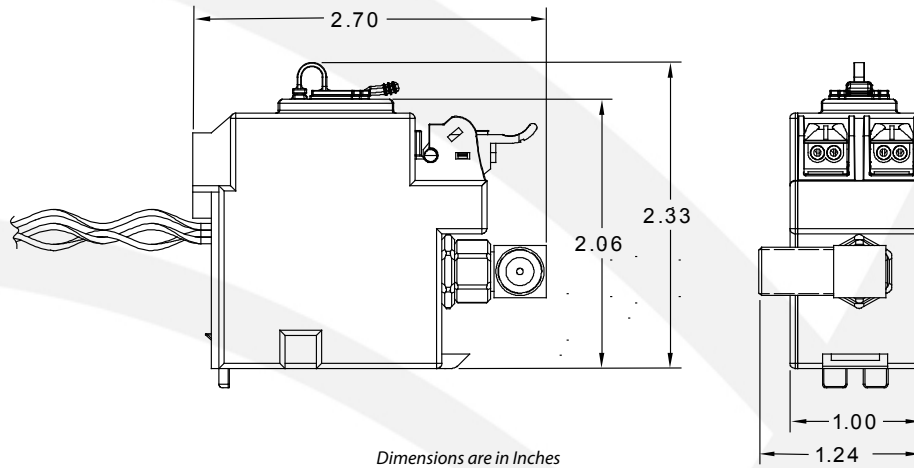
141 Rodeo Drive
Edgewood, NY 11717
Phone: 631.789.5000 • Fax: 631.789.5063
Toll Free: 888.844.4720
sales@tiitech.com

Locations:

South March
Long March Industrial Estate
Daventry, Northamptonshire, NN11 4PH, UK
Phone: +44 (0) 1327 301853
Fax: +44 (0) 1327 879532
sales@tiitech.co.uk

Av. José de Escandón y Helguera
No. 21 Ciudad Industrial
Matamoros, Tamaulipas, C.P. 87494, México
Phone: 868.812.8011 • Fax: 868.812.8025
salesmx@tiitech.com.mx

97FB-S



SPECIFICATIONS

Electrical (POTS-PORT) Complies with ANSI T1.424 Issue 2 Annex E

DC Loop Current	0 to 100 mA
DC Loop Voltage (tip-to-ring)	0 to -60Vdc
Ringing Signals (20-30 Hz)	103 Vrms superimposed on the DC Loop Voltage
DC Current Influence	< 2% up to 300 mA
DC Resistance	< 25 ohms, POTS tip-to-ring with Line port (U-R) shorted
POTS Insertion Loss (Short & Long Loop)	≤ 0.75 dB
DSL Band Attenuation (25KHz-30MHz)	> 65 dB
Electrical (75 ohm COAX-PORT)	
In-band insertion loss (25 kHz - 8.5MHz)	< 1.0 dB
Pass band ripple (25 kHz - 8.5MHz)	< 0.2 dB
Out-of-band insertion loss (12 MHz - 30 MHz)	> 40 dB
In-band return loss (25 kHz - 8.5 MHz)	> 12 dB

Environmental; Complies with GR-49-CORE applicable requirements

Lightning Surge	GR-1089 CORE Level 1 and Level 2 Surge
Power Cross	GR-1089 CORE First and Second Level AC Power Fault Immunity
Operating Temperature	-40 to +65°C (-40 to 149°F)
Relative Humidity	0 to 95%, non-condensing

ORDERING INFORMATION

Model No.	Description
97FB-S	VDSL2 POTS Splitter Module with VDSL2 Output on Coax with swivel F-connector
9A	Optional Adapter for 97FB-S