

97C-1-1-2

ADSL2+ POTS Splitter Module, IPTV Services

Compatible with Corning
Cable System's NI-2000

Circuit Approved by Calix,
IOL for ADSL2+, IPTV
Deployment

Meets IPTV Ring Trip
Saturation Current
Requirements

Provides Network
Test Signature

Listed to UL 1863



Tii Technologies Inc.

Corporate Headquarters:

141 Rodeo Drive
Edgewood, NY 11717
Phone: 631.789.5000
Fax: 631.789.5063
Toll Free: 888.844.4720
sales@tiitech.com



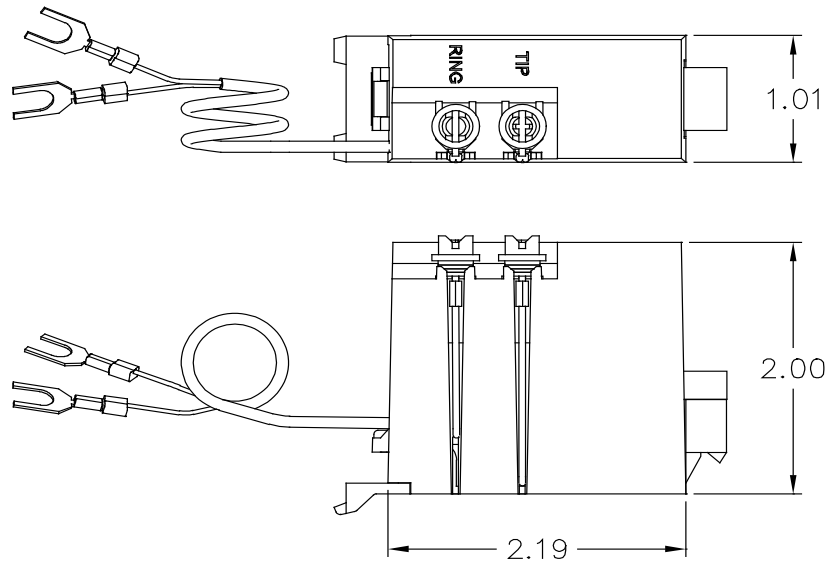
The 97C-1-1-2 ADSL2+ POTS Splitter Module is a passive device which splits the combined voice and data signal carried on telephone lines to provide separate outputs for both phone and data services

KEY PRODUCT BENEFITS

- ▶ Designed for use at the subscriber premises in a Network Interface Device (NID)
- ▶ Device can be mounted in a wide variety of Corning Cable Systems NI-2000 compatible NIDs
- ▶ May be installed adjacent to existing Corning PTD (Protected Termination Device)
- ▶ Asymmetrical Digital Subscriber Line (ADSL2+) provides high-bit-rate digital information over telephone subscriber lines. The 97C-1-1-2 splitter design makes it possible to use a single phone line to provide triple play services including ADSL2+ and IPTV.

INDUSTRY STANDARDS

- ▶ ANSI T1.413 compliant
- ▶ Listed to UL 1863 as a communication circuit accessory



Dimensions are in Inches

SPECIFICATIONS

Electrical (Complies with ANSI T1.424 Issue 2 Annex E)

DC Loop Current	0 to 100 mA
DC Loop Voltage (tip-to-ring)	0 to -60Vdc
Ringing Signals	103 Vrms superimposed on the DC Loop Voltage; 20 - 30 Hz
DC Resistance	< 20 ohms, POTS tip-to-ring with Line port (U-R) shorted
Insertion Loss (Short & Long Loop)	≤ 0.5 dB
Tip-to-Ring Capacitance, POTS port	20 ≤ C ≤ 100 nF; 20 - 30 Hz
Input Impedance (Measured Level)	≤ 0.25 dB; 30 kHz - 12 MHz, ZTr = 600
Attenuation Distortion (Voice Band), Increase relative to Insertion Loss at 1004 Hz	+0.7 to -0.5dB; 200 - 3.4 kHz, short loop, ZTc = 900, ZTr = 600 +0.7 to -0.5dB; 3.4 - 4.0 kHz, short loop, ZTc = 900, ZTr = 600 +0.4 to -0.5dB; 200 - 3.4 kHz, long loop, ZTc = 900, ZTr = 600 +0.5 to -0.5dB; 3.4 - 4.0 kHz, long loop, ZTc = 900, ZTr = 600

Environmental

Lightning Surge	GR-1089 CORE Level 1 and Level 2 Surge
Power Cross	GR-1089 CORE First and Second Level AC Power Fault Immunity
Operating Temperature	-40 to +65 °C (-40 to 149 °F)
Relative Humidity	0 to 95%, non-condensing
UL Listed	As a communication circuit accessory

ORDERING INFORMATION

Model No.	Description	Standard Pkg.
97C-1-1-2	ADSL2+ POTS Splitter Module, IPTV Compatible, with Screw Terminations and Spade Connectors	50 pieces, 0.20 lbs. each