

NETWORK INTERFACE DEVICES (NIDs)

9600

Twelve-Line Broadband Outdoor Network Interface Devices

Unsurpassed
RJ-11 Performance

Hybrid Coax/
Twisted Pair Capability

Designed for
Easy Installation
And Maintenance

Easy to Expand or Upgrade

Meets Telcordia
GR-49-CORE

Listed to UL 497



Tii Technologies Inc.

Corporate Headquarters:

141 Rodeo Drive
Edgewood, NY 11717
Phone: 631.789.5000
Fax: 631.789.5063
Toll Free: 888.844.4720
sales@tiitech.com

www.tiitech.com



9612H-71-12100

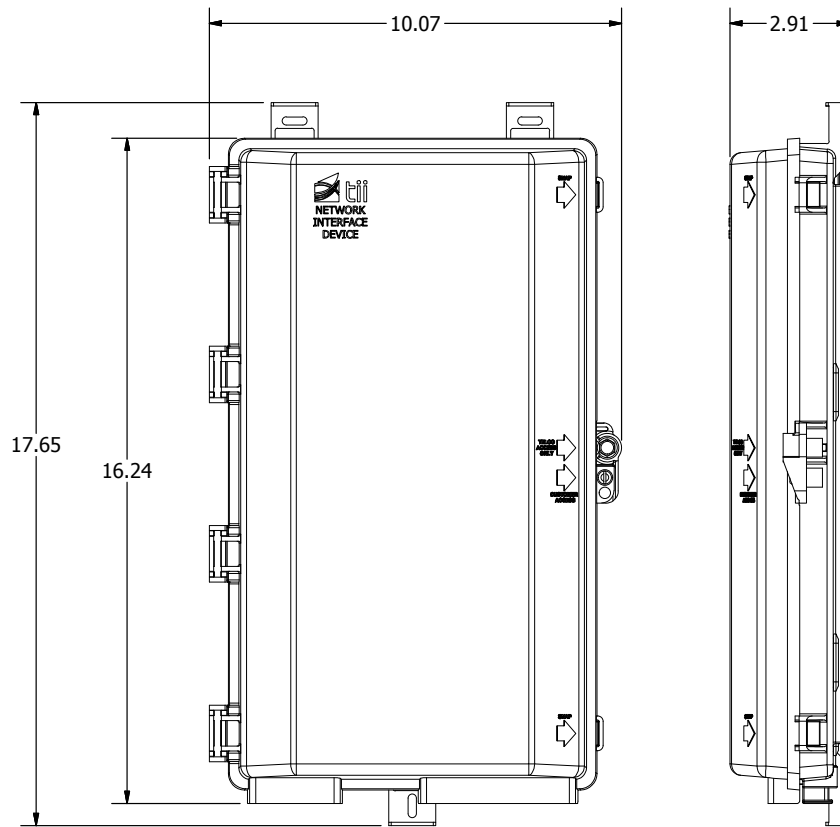
The 9600 broadband outdoor Network Interface Device (NID) is a versatile, twelve-pair housing. It accommodates a variety of primary protection and twisted pair drop combinations, while providing superior protection and performance in the harshest outdoor environments.

KEY PRODUCT BENEFITS

- ▶ Constructed of superior materials to withstand harsh indoor and outdoor environments, such as UV degradation, chemical exposure and cold temperatures.
- ▶ Superior wire management access utilizing tii's primary Protectors and Customer Bridge Modules.
- ▶ All internal components – protector modules, customer bridges and coax modules – are completely modular, allowing for simple field expansion.
- ▶ Standard features include customer locking/telco bypass, separate customer and telco compartments and fully hinged covers.
- ▶ The 9600's superior performing Customer Bridge Module includes Tii's Auto-Jack® RJ-11 which is protected from the environment, requires no RJ-11 plug, and exceeds Telcordia requirements for first and second level power surges resulting in unsurpassed performance.
- ▶ Each Customer Bridge Module accepts a standard RJ-11 plug for easy customer troubleshooting

INDUSTRY STANDARDS

- ▶ Telcordia third party tested
- ▶ IDC connections exceed Telcordia requirements for sealed terminations
- ▶ Protection modules exceed Telcordia GR-1361-CORE "Generic Requirements for Gas Tube Protectors" and Telcordia TR-NWT-000975, "Generic Requirements For Unprotected Terminal Blocks"
- ▶ Meets GR-1361-CORE "Severe Environmental Conditions" (-40°C - 80°C)
- ▶ Customer Bridge Module meets Telcordia "Normal and Severe Climatic" requirements for first and second level lightning surges
- ▶ Listed to UL 497



Dimensions are in Inches

ORDERING INFORMATION

| 96 | XX | X | XX | X | X | XX | X |
|---------------------------|-----------------|--------------------|------------------------|----------------------|--|-----------|--------------------------|
| | | | Customer Bridge Module | | | | |
| No. of Station Protectors | Security Screw | Station Protectors | No. of CBMs | Wiring Type | Electronics | CSM Qty. | Coax Service Module Type |
| 00 = None | H = Hex Head | 00 = None | 0 = None | 0 = None | 00 = None | 00 = None | 0 = None |
| 06 = Six | P = Pin-In-Head | 01 = 356L | 6 = Six | S = Insulated Screws | 01 = 1/2 Ringer | 06 = Six | 1 = Straight Thru |
| 12 = Twelve | | 03 = 356M1 | 12 = Twelve | I = IDC Terminations | 09 = ADSL POTS Splitter | | 2 = Protected |
| | | 07 = 355M | | | 10 = DSL Compliant 1/2 Ringer | | |
| | | 15 = 126M | | | 12 = VDSL2 POTS Splitter | | |
| | | 17 = 126L1 | | | 14 = VDSL2 POTS Splitter with EMI Filter | | |
| | | 22 = 122 | | | 18 = Combination 1/2 Ringer & RFI Filter | | |
| | | 50 = 355MT | | | | | |
| | | 51 = 127M | | | | | |
| | | 52 = 372-S2 | | | | | |
| | | 53 = 356M2 | | | | | |
| | | 54 = 356M3 | | | | | |
| | | 71 = AD-01W-FS | | | | | |
| | | 72 = AD-02W-FS | | | | | |
| | | 73 = AD-M2-W-FS | | | | | |
| | | 76 = AD-03W-FS | | | | | |
| | | 78 = AD-01W-LP | | | | | |
| | | 80 = ADX-L/R or W | | | | | |