

95S-1-09

ADSL2+ POTS Splitter Module

Occupies Only One
Position in Network
Interface Device

Compatible with 3600,
3700, 5100 and 9600 Series
Network Interface Device
(NID) Footprints

IDC Terminations for
DSL and Voice Signals

Eliminates RJ-11 Plug
Maintenance Problems

Utilizes Tii's Switchable
RJ-11 Jack (Auto-Jack®)

Exceeds Telcordia
Severe Lightning Surge
Requirements

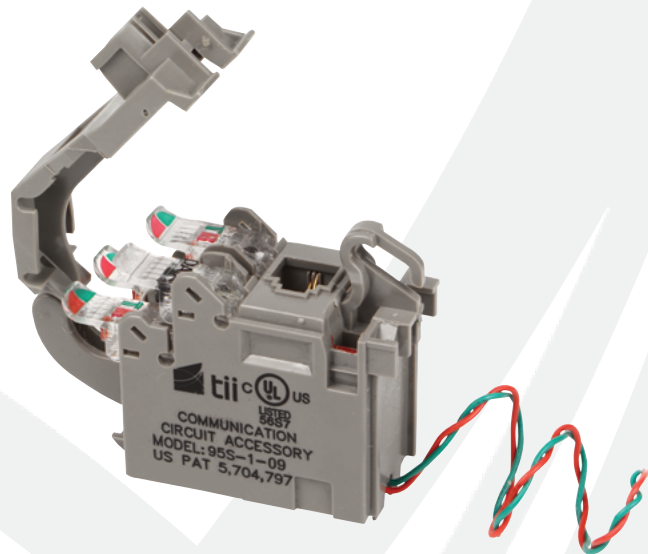


Tii Technologies Inc.

Corporate Headquarters:

141 Rodeo Drive
Edgewood, NY 11717
Phone: 631.789.5000
Fax: 631.789.5063
Toll Free: 888.844.4720
sales@tiitech.com

www.tiitech.com



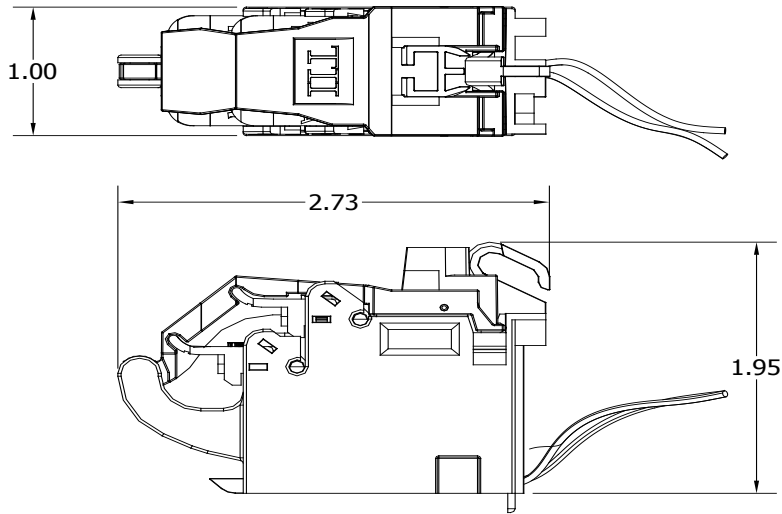
The 95S-1-09 ADSL2+ POTS Splitter Module splits the combined voice and data signal carried on telephone lines to provide separate outputs for both phone and data services.

KEY PRODUCT BENEFITS

- ▶ Module's unique design provides customer bridging and ADSL2+ POTS splitting all in one module.
- ▶ Module easily snaps in and out of the customer side of the NID and occupies only one position, thereby not compromising the NID's overall capacity.
- ▶ Designed for use in a wide variety of Network Interface Devices (NIDs) at the customer premise. Offered in 3600, 3700, 5100 and 9600 Series NID footprints.
- ▶ Asymmetrical Digital Subscriber Line (ADSL2+) provides high-bit-rate digital information over telephone subscriber lines.
- ▶ Splitter makes it possible to use a single phone line to provide both telephone and DSL internet access.
- ▶ With module installed, an additional standard POTS line module is not needed.
- ▶ Module includes Tii's unique patented switchable RJ-11 Jack (Auto-Jack®). It requires no plug for normal operation and delivers unparalleled reliability.
- ▶ When engaged, the Tii Auto-Jack® connects the RJ-11 test plug contacts to the Central Office (CO) for dial tone validation while disconnecting the customer from the circuit.
- ▶ Auto-Jack® assembly includes a sealed test point access feature, which allows craft to test subscriber wiring even while a test plug is mated into the Auto-Jack® receptacle. This greatly facilitates the testing process.
- ▶ Standard features such as customer locking/telco bypass, and hinged covers become available when installed in a tii listed Network Interface Device.

INDUSTRY STANDARDS

- ▶ ANSI T1.413 and G.992.5 Compliant
- ▶ Auto-Jack® RJ-11 unit exceeds Telcordia GR-49 CORE requirements for severe climatic conditions, both first and second level lightning surge requirements in the open and short circuit mode
- ▶ Compliant to GR49, GR1089, GR3167, TR-NWT-001195
- ▶ Listed To UL1863



Dimensions are in Inches

SPECIFICATIONS

ELECTRICAL (Complies with ANSI T1.413 Issue 2 Annex E)

DC Loop Current	0 to 100 ma
DC Loop Voltage (tip-to-ring)	0 to -60 vdc
Ringing Signals	103 Vrms Superimposed on the DC Loop Voltage; 20 to 30 Hz
DC Resistance	25 Ohms, POTS Tip-to-Ring with Line Port (U-R) Shorted
Insertion Loss	≤ 1.0 dB; short loop, Z _{Tc} = 900, Z _{Tr} = 600, 1004 Hz ≤ 0.75 dB; long loop, Z _{Tc} = 900, Z _{Tr} = 600, 1004 Hz
Tip-to-Ring Capacitance, POTS Port	20 ≤ C ≤ 115 nF; 20 – 30 Hz
Input Impedance	≤ 0.25 dB; 30 – 2.5 MHz, Z _{Tr} = 600

ENVIRONMENTAL

Lightning Surge	GR-1089-CORE Level 1 and Level 2 Surge
Power Cross	GR-1089-CORE First and Second Level AC Power Fault Immunity
Operating Temperature	- 40 to + 65° C (- 40 to 149° F)
Relative Humidity	0 to 95%, Non-condensing
UL Listed	As a Communication Circuit Accessory

ORDERING INFORMATION

Model No.	Description
95S-1-09	ADSL2+ POTS Splitter with Wire Leads
95S-1-09-1S	ADSL2+ POTS Splitter with Wire Leads and #10 Terminal Lugs