

95 Series

Customer Bridge Modules (CBMs)

Utilizes Tii's Switchable
RJ-11 Jack (Auto-Jack®)

Offered With
Optional Electronic

Eliminates RJ-11 Plug
Maintenance

Exceeds Telcordia
Severe Lightning Surge
Requirements

Listed to UL 1863

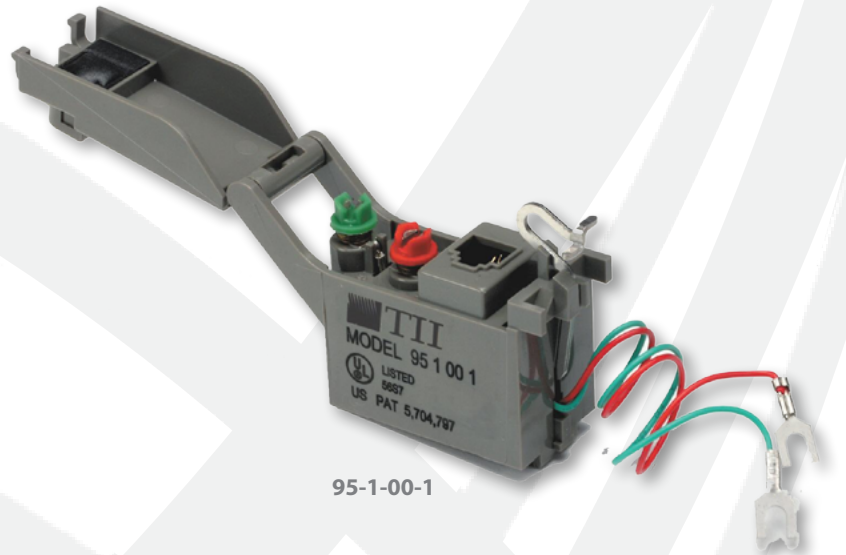


Tii Technologies Inc.

Corporate Headquarters:

141 Rodeo Drive
Edgewood, NY 11717
Phone: 631.789.5000
Fax: 631.789.5063
Toll Free: 888.844.4720
sales@tiitech.com

www.tiitech.com



95-1-00-1

95 Customer Bridge Modules (CBMs) are durable, environmentally protected units designed to be used in the full line of tii's Network Interface Devices.

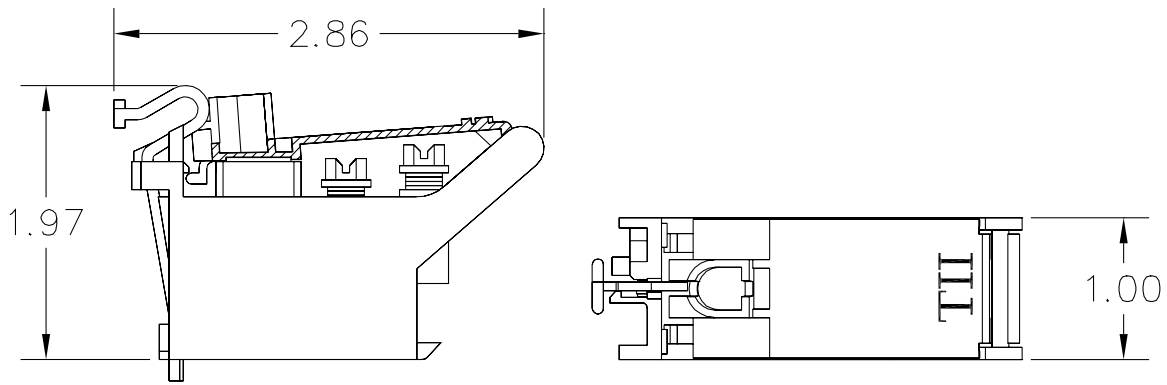
KEY PRODUCT BENEFITS

- ▶ Constructed of superior materials designed to withstand harsh indoor and outdoor environment such as UV degradation, chemical exposure, cold temperatures and moisture - even in severe cases
- ▶ Superior performing Customer Bridge Module includes tii's Auto-Jack® RJ-11 plug, which exceeds Telcordia requirements for first and second level power surges, resulting in unsurpassed performance
- ▶ Customer terminations utilize insulated hex/slotted screws
- ▶ Accepts standard RJ-11 plug for customer troubleshooting
- ▶ Can be retrofitted into tii's Network Interface Devices, making it possible to field upgrade most standard service line modules already installed
- ▶ Includes such standard features as customer locking with telco bypass and hinged cover
- ▶ Modular design also accommodates half ringers and RFI filter circuits

INDUSTRY STANDARDS

- ▶ Exceeds Telcordia GR-49-CORE requirements for severe climatic conditions, both first and second level lightning surge requirements in the open and short circuit mode
- ▶ Listed to UL 1863

95 Series



Dimensions are in Inches

Patent No. 5,704,797

ORDERING INFORMATION

95-1	-XX	-X
	Electronics	Telco Termination
	00 = None	0 = Wire Leads Without Terminal Lugs
	01 = ½ Ringer	1 = Wire Leads With #10 Terminal Lugs
	08 = RFI Filter	
	01/08 = Combination ½ Ringer & RFI Filter	