

91 Series

Expansion Modules

No. 26 AWG thru No. 18.5 AWG
Termination Capability

Gel-Sealed IDC Terminations
Available

Unsurpassed RJ-11 Performance
Allows for Field Expansion

Listed to UL 497 & 1863



Tii Technologies Inc.

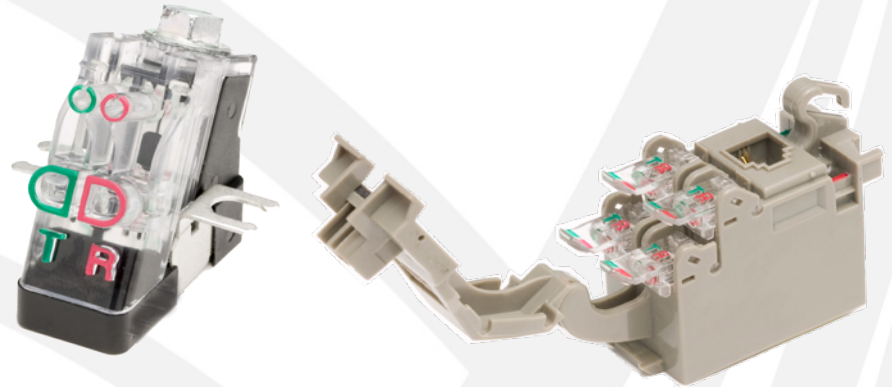
Corporate Headquarters:

141 Rodeo Drive
Edgewood, NY 11717
Phone: 631.789.5000 • Fax: 631.789.5063
Toll Free: 888.844.4720
sales@tiitech.com

Locations:

South March
Long March Industrial Estate
Daventry, Northamptonshire, NN11 4PH, UK
Phone: +44 (0) 1327 301853
Fax: +44 (0) 1327 879532
sales@tiitech.co.uk

Av. José de Escandón y Helguera
No. 21 Ciudad Industrial
Matamoros, Tamaulipas, C.P. 87494, México
Phone: 868.812.8011 • Fax: 868.812.8025
salesmx@tiitech.com.mx



91 Series Expansion Modules are designed to add additional subscriber lines to tii's pre-wired Outdoor Telephone Network Interface Devices.

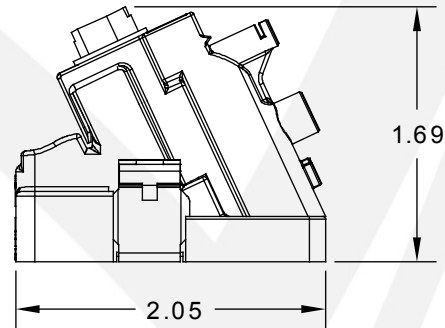
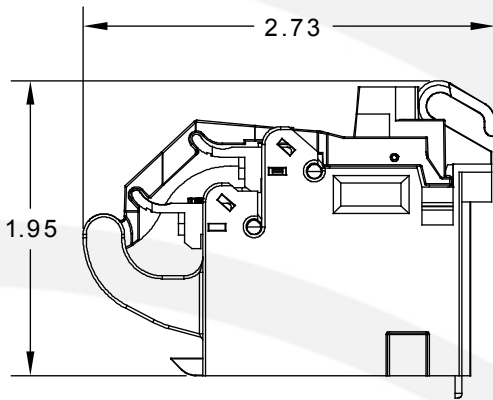
KEY PRODUCT BENEFITS

- ▶ Wide variety of modules available.
- ▶ Many modules in the 91 Series utilize the latest technology in gel-sealed terminations for years of trouble-free maintenance.
- ▶ Units utilize special materials to withstand harsh outdoor environments, such as UV degradation, chemical exposure and cold temperatures.
- ▶ The Angle Driver (AD Sealed Protector) accepts 18.5-24 AWG wire in the Lower Service Entry Ports. The Upper Entry Ports of the Angle Driver accept 22-26 AWG wire. All IDC connections of the 95S and 96 CBM accept 22-26 AWG.
- ▶ Expansion Modules which include Tii's Sealed Protector and a Sealed Subscriber Bridge Module (containing a tii Auto-Jack®) offer a totally sealed plant network interface that provide years of maintenance-free service protected from weather related problems.
- ▶ Our superior performing Customer Bridge Module (CBM) includes Tii's Auto-Jack® RJ-11 which is protected from the environment, requires no RJ-11 plug, and meets Telcordia "Normal and Severe Climatic" requirements of first and second level lightning surges resulting in unsurpassed performance.
- ▶ Customer connections are equipped with insulated screw terminals or optional gel-sealed IDC terminations.
- ▶ Each FCC approved jack accepts the standard RJ-11 plug for customer troubleshooting.
- ▶ All components are totally modular and allow simple field expansion.

INDUSTRY STANDARDS

- ▶ Certain components incorporate sealed terminations which exceed Telcordia TR-NWT-0000975 "Generic Requirements For Unprotected Termination Devices" and the latest requirements of Telcordia GR-49-CORE, "Generic Requirements For Outdoor Telephone Network Interface Devices."
- ▶ Listed to UL 497 & 1863

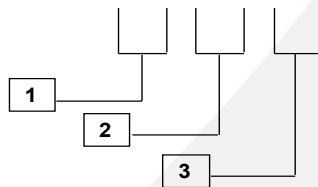
91 Series



Dimensions are in Inches

ORDERING INFORMATION

91 - x x - x x - x x



EXPANSION MODULE OPTIONS

1. Station Protectors

00 = None	52 = 372-S2
01 = 356L	53 = 356M2
03 = 356M1	54 = 356M3
07 = 355M	71 = AD-01W-FS
15 = 126M	72 = AD-02W-FS
17 = 126L1	73 = AD-M2-W-FS
22 = 122	76 = AD-03W-FS
50 = 355MT	78 = AD-01W-LP
51 = 127M	80 = ADX-L/R or W

2. Subscriber Options

04 = 95-1 Customer bridge Module Equipped with Auto-Jack, Compatible with the 3600/3700
07 = 95S-1 Sealed Customer bridge Module Equipped with IDC Connections and Auto-Jack, Compatible with the 3600/3700
08 = 96 Sealed Customer bridge Module Equipped with IDC Connections and Auto-Jack, Compatible with CAC 7600
12 = 95S-1-12 Sealed Customer Bridge Module Equipped with IDC Connections, Auto-Jack and VDSL Filter

3. Electronic Options

01B = 1/2 Ringer in Base of Customer Bridge

*** Note:** Utilizes Insulation Displacement Connection (IDC) Technology - No Stripping Of Wire Insulation Required, allows for Tool-less Termination.

Each FCC Approved Jack Accepts A Standard RJ-11 Plug For Customer Troubleshooting

Please refer to the respective data sheets for descriptions and specifications of the tii Protectors and Customer Bridge Modules