

## 90 Series

### Bridging Modules

Provides Up To 12 Additional  
Extensions To Existing Phone Line

Quick And Simple Installation

Color Coded Terminals  
And Wire Leads

Offered With Optional Sealed  
IDC Terminations

Standard Industry Footprint

Snaps into All Tii Network  
Interface Devices

Optional Adapter Available To  
Convert To CAC 7600 Footprint



**Tii Technologies Inc.**

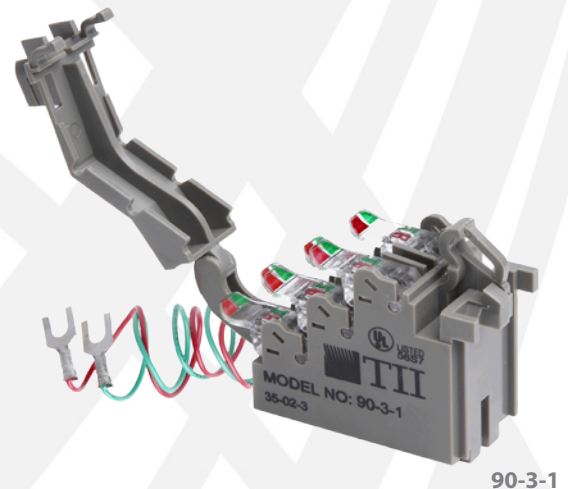
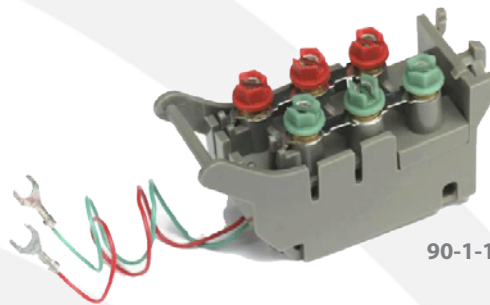
**Corporate Headquarters:**

141 Rodeo Drive  
Edgewood, NY 11717  
Phone: 631.789.5000 • Fax: 631.789.5063  
Toll Free: 888.844.4720  
sales@tiitech.com

**Locations:**

South March  
Long March Industrial Estate  
Daventry, Northamptonshire, NN11 4PH, UK  
Phone: +44 (0) 1327 301853  
Fax: +44 (0) 1327 879532  
sales@tiitech.co.uk

Av. José de Escandón y Helguera  
No. 21 Ciudad Industrial  
Matamoros, Tamaulipas, C.P. 87494, México  
Phone: 868.812.8011 • Fax: 868.812.8025  
salesmx@tiitech.com.mx



90 Series Bridging Modules provide terminals for connecting additional “home runs” back to the Network Interface Device (NID). The modules are offered with either screw terminations (twelve home runs) or sealed IDC terminations (six home runs).

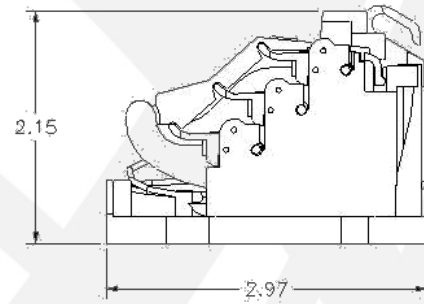
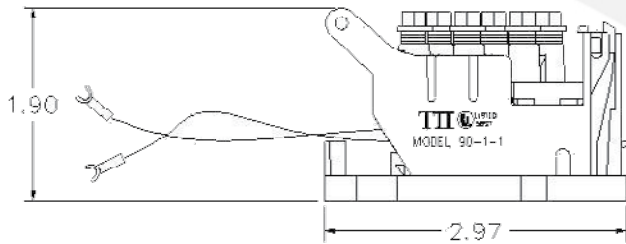
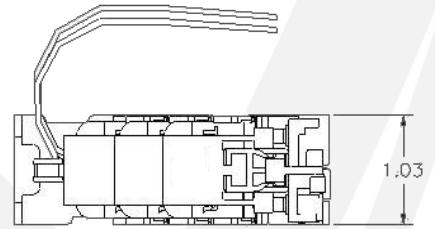
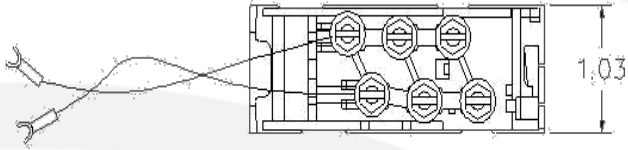
### KEY PRODUCT BENEFITS

- ▶ Module installs into the NID below an existing Customer Bridge Module (CBM) making use of its RJ-11 test receptacle
- ▶ Terminals and wire leads color coded for easy recognition and installation
- ▶ Standard network footprint design makes module compatible with all Tii NIDs

### INDUSTRY STANDARDS

- ▶ Listed to UL 1863

# 90 Series



**90-1-1-1**  
Shown with Adapter

**90-3-0-1**  
Shown with Adapter

Dimensions are in Inches

## ORDERING INFORMATION

90	X	X	X
	<b>Wiring Type</b>	<b>Input Terminations</b>	<b>Adapter</b>
	1 = Screw Terminals 3 = Sealed IDC Terminals	0 = No Connectors 1 = With Spade Connectors	0 = None (fits tii 3600/3700/763 footprint) 1 = w/Adapter (fits CAC 7600 footprint)