

831 Series

Radio Frequency Filters

Eliminates Undesirable Interference

Covers Wide Frequency Range

Quick and Easy Installation

Offered in Two Versions



Tii Technologies Inc.

Corporate Headquarters:

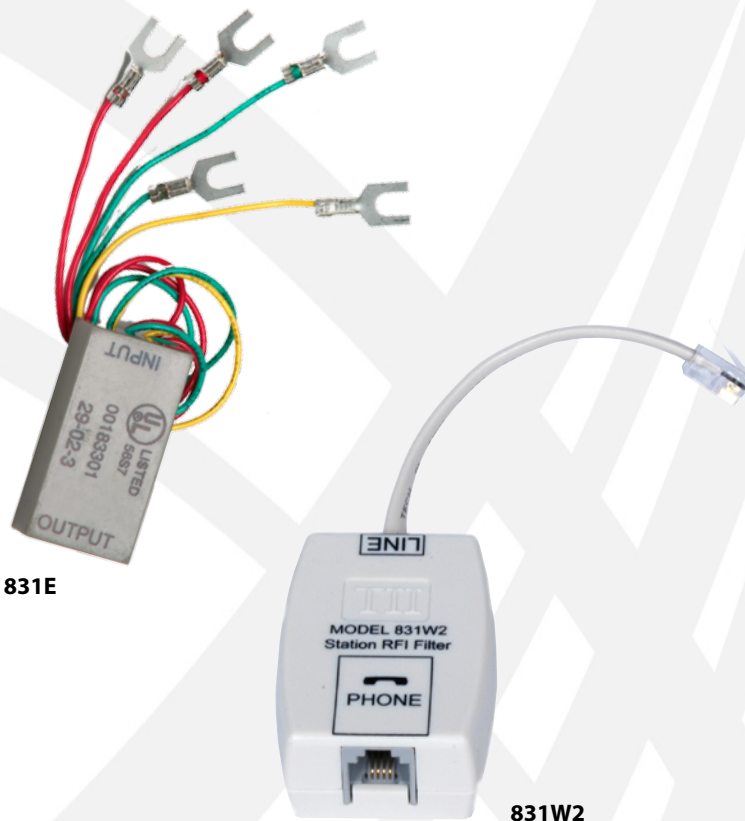
141 Rodeo Drive
Edgewood, NY 11717
Phone: 631.789.5000 • Fax: 631.789.5063
Toll Free: 888.844.4720
sales@tiitech.com

Locations:

South March
Long March Industrial Estate
Daventry, Northamptonshire, NN11 4PH, UK
Phone: +44 (0) 1327 301853
Fax: +44 (0) 1327 879532
sales@tiitech.co.uk

Av. José de Escandón y Helguera
No. 21 Ciudad Industrial
Matamoros, Tamaulipas, C.P. 87494, México
Phone: 868.812.8011 • Fax: 868.812.8025
salesmx@tiitech.com.mx

www.tiitech.com



831E

831W2

831 Series broadband low-pass filters eliminate undesirable interference from AM, FM and CB radio signals.

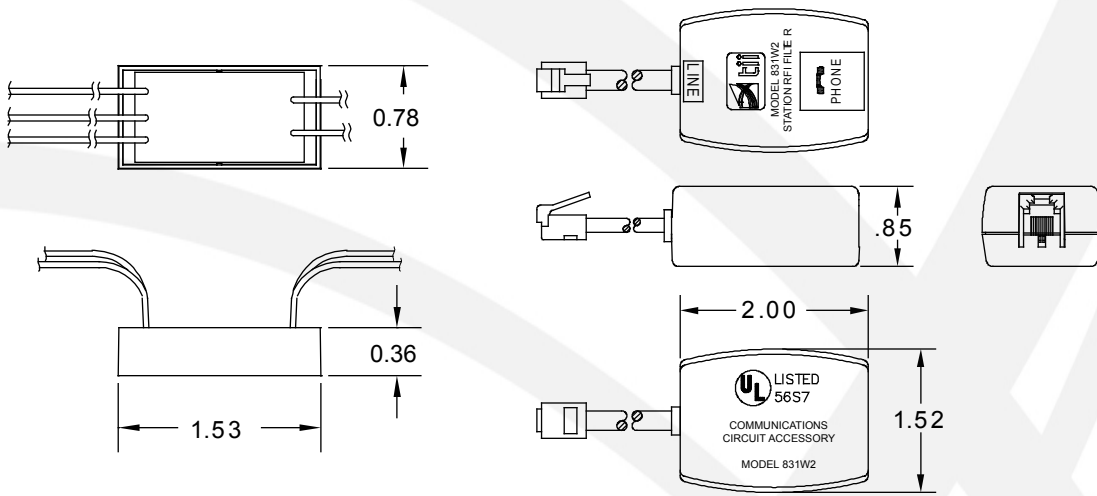
KEY PRODUCT BENEFITS

- ▶ Can be placed in series with the tip and ring conductors.
- ▶ The 831E is environmentally encapsulated in a plastic shell with 5 leads with spade connectors. One of the leads is used for ground. This version provides RFI metallic and longitudinal filtering.
- ▶ The 831E can be easily mounted in a NID.
- ▶ The 831W2 is in an indoor housing equipped with Male RJ-11 Plug and Female RJ-11 Jack Out for easy installation.
- ▶ The circuitry is essentially transparent to the voice band frequency (300 Hz – 4 KHz).
- ▶ The tii 831 Series filters provide up to 55dB attenuation to radio frequency interference signals including AM, FM and CB radio on telephone lines.

INDUSTRY STANDARDS

- ▶ Listed to UL 1863

831 Series



Dimensions are in Inches

ORDERING INFORMATION

Model No.	Description
831E	RFI Filter in encapsulated shell equipped with 5 leads with spade connectors
831W2	RFI Filter in an indoor housing equipped with Male RJ-11 Plug and Female RJ-11 Jack Out