

**80-800***Indoor VDSL2 Balun*

Converts VDSL2 Signal on  
Coax Cable to Balanced  
Signal on RJ-11 Plug

F-Type Connector Input  
Is Unbalanced 75 Ohm

RJ-11 Plug Output Signal is  
Balanced for Connection to  
DSL Modem

Used in Conjunction with 97FB-S,  
Speeds IPTV Installations



The 80-800 Indoor VDSL2 Balun is a passive in-line device designed to convert a VDSL2 signal carried on unbalanced 75 Ohm coax cable to a balanced twisted pair signal.

This device is typically used in conjunction with the 97FB-S Splitter Filter Balun. 97FB-S device is installed in the Network Interface Device (NID) and converts the incoming balanced DSL signal to an unbalanced 75 ohm coaxial cable signal. The DSL signal is carried on the coax cable to the living unit where the 80-800 is installed. It then converts the DSL signal back to twisted pair for connection to the adjacent DSL modem.

The combination of these two devices is particularly useful in carrying DSL signals into homes or apartments where coax is available but the twisted pair is damaged or of insufficient quality to carry the DSL signal. The 80-800 device can be used for ADSL, ADSL2, ADSL2+ and VDSL2.



**Tii Technologies Inc.**

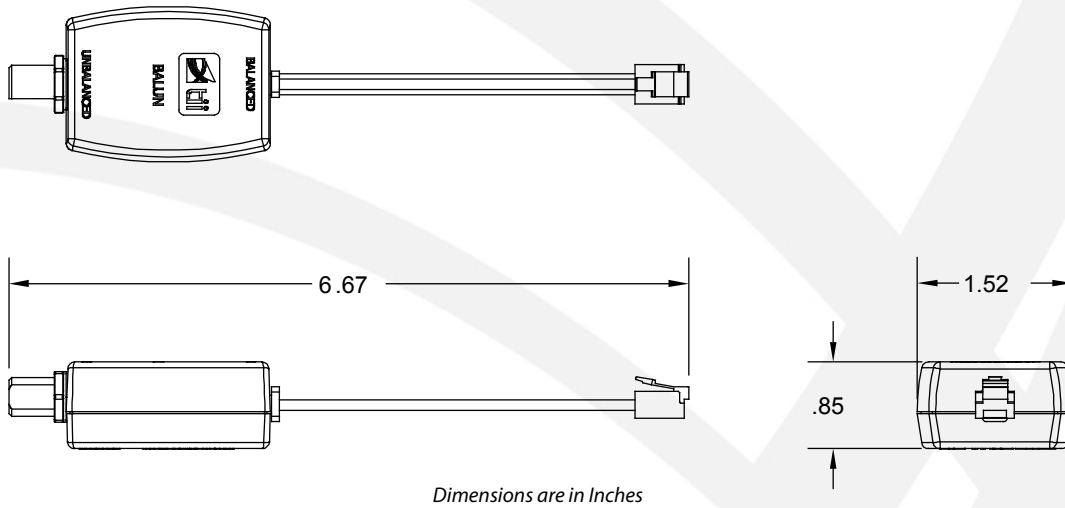
**Corporate Headquarters:**

141 Rodeo Drive  
Edgewood, NY 11717  
Phone: 631.789.5000  
Fax: 631.789.5063  
Toll Free: 888.844.4720  
sales@tiitech.com

**KEY PRODUCT BENEFITS**

- ▶ Converts 75 Ohm unbalanced signal to a balanced twisted pair signal
- ▶ Allows coax to be used to carry the DSL signal where twisted pair is of insufficient quality
- ▶ Speeds broadband and IPTV installations, reducing cost
- ▶ Standard DSL gateways with RJ-11 Input port may be used

# 80-800



## SPECIFICATIONS

Input	F-Type , 75 Ohms unbalanced
Output	RJ-11 Male Plug, 100 Ohms balanced
Inband Insertion Loss (25KHz - 17MHz)	< 1dB

## ORDERING INFORMATION

Model No.	Description
80-800	Indoor VDSL2 Balun