

80-410V

Indoor DSL POTS Splitter Module for VDSL2/ADSL2+, IPTV Services

Meets IPTV Ring Trip
Saturation Current
Requirements for
VDSL2 and ADSL2+ Systems
Delivering IPTV Signals

RJ/IDC Terminations for
DSL and Voice Signals

Listed to UL 1863



Tii Technologies Inc.

Corporate Headquarters:

141 Rodeo Drive
Edgewood, NY 11717
Phone: 631.789.5000
Fax: 631.789.5063
Toll Free: 888.844.4720
sales@tiitech.com



80-410V-45

The 80-410V Indoor DSL POTS Splitter Module splits the combined voice and data signals carried on telephone lines providing separate outputs for both phone and data services. It is designed to be mounted inside the customer premises near where the phone service enters the building. RJ jacks or sealed rocker/IDC terminals connect directly to the equipment with data-grade cabling. The 80-410V utilizes enhanced circuit components to meet VDSL2/ADSL2+ splitter specifications for advanced data and IPTV deployments.

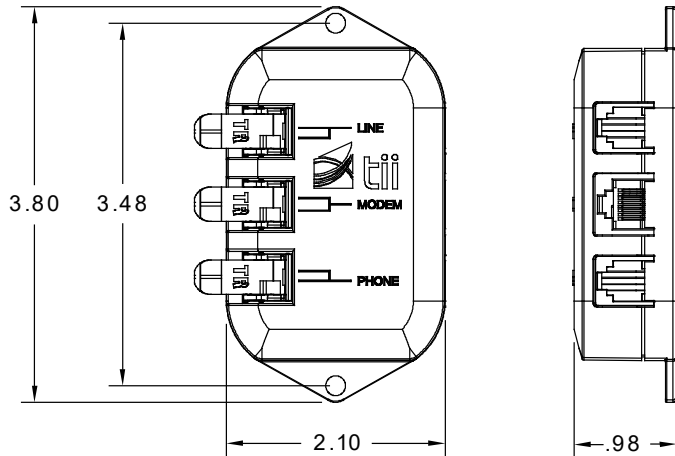
KEY PRODUCT BENEFITS

- ▶ Module's unique design provides customer bridging and DSL POTS splitting in one module
- ▶ The 80-410V splitter design makes it possible to use a single phone line to provide triple play services including VDSL2/ADSL2+ and IPTV
- ▶ The 80-410V has both RJ jacks and sealed IDC rocker terminals for flexible wiring schemes
- ▶ This compact POTS splitter can be mounted easily in the desired location

INDUSTRY STANDARDS

- ▶ ANSI T1.424 - Compliant to full VDSL2 30MHz bandwidth
- ▶ Listed to UL 1863 and CSA 22.2, No. 182.4-M90

80-410V



Dimensions are in Inches

NOTE:

1. Rocker/IDC and RJ jacks are connected in parallel.
2. Rocker/IDC connections require no tools. Insulation striping is not necessary.

Dimensions are in Inches

SPECIFICATIONS

ELECTRICAL (Complies with ANSI T1.424 Issue 2 Annex E)

DC Loop Current	0 to 100 mA
DC Loop Voltage (tip-to-ring)	0 to -60Vdc
Ringing Signals	103 Vrms superimposed on the DC Loop Voltage; 20 - 30Hz
DC Resistance	< 20 ohms, POTS tip-to-ring with Line port (U-R) shorted
Insertion Loss (Short & Long Loop)	≤ 0.5 dB
Tip-to-Ring Capacitance, POTS port	20 ≤ C ≤ 100 nF; 20 - 30 Hz
Input Impedance (Measured Level)	≤ 0.25 Db; 30 kHz - 30 MHz, ZTr = 600
Attenuation Distortion (Voice Band), Increase relative to Insertion Loss at 1004 Hz	+0.7 to -0.5dB; 200 - 3.4 kHz, short loop, ZTc = 900, ZTr = 600 +0.7 to -0.5dB; 3.4 - 4.0 kHz, short loop, ZTc = 900, ZTr = 600 +0.4 to -0.5dB; 200 - 3.4 kHz, long loop, ZTc = 900, ZTr = 600 +0.5 to -0.5dB; 3.4 - 4.0 kHz, long loop, ZTc = 900, ZTr = 600
Delay Distortion (Voice Band)	< 25μs
Return Loss (Voice Band) (Short & Long Loop)	> 7 dB
Longitudinal Balance, Two Port Technique, DSL to Line Port (U - R) and Line Port (U - R) to POTS	> 60 dB; 30 - 1100 kHz > 55 dB; 1100 kHz - 30 MHz
Capacitance to Ground, POTS Port	≤ 1.0 nf; 20 - 30 Hz
DSL Band Attenuation	> 65 dB; 30 kHz - 30 MHz
DC Current Influence (Ring Trip)	< 2% up to 300 mA
Inter-modulation Distortion (MTPR) for 2nd Order for 3rd Order	> 85 dBc > 75 dBc

ENVIRONMENTAL

Lightning Surge	GR-1089 CORE Level 1 and Level 2 Surge
Power Cross	GR-1089 CORE First and Second Level AC Power Fault Immunity
Operating Temperature	-40 to +65° C (-40 to 149° F)

ORDERING INFORMATION

Model No.	Description
80-410V-11	DSL POTS Splitter Module for VDSL2/ADSL2+, IPTV Services with RJ11 Input from Modem
80-410V-45	DSL POTS Splitter Module for VDSL2/ADSL2+, IPTV Services with RJ45 Input from Modem