

79 Series

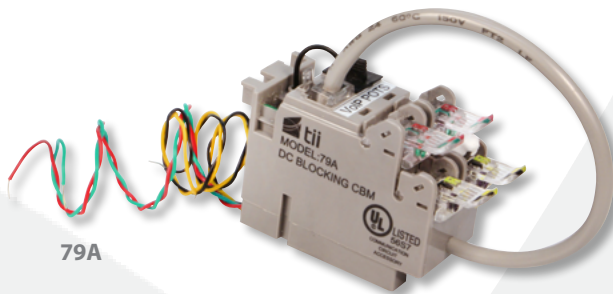
2-Line POTS DC Blocking Switch

Utilizes Gel-Sealed
IDC Rocker Design

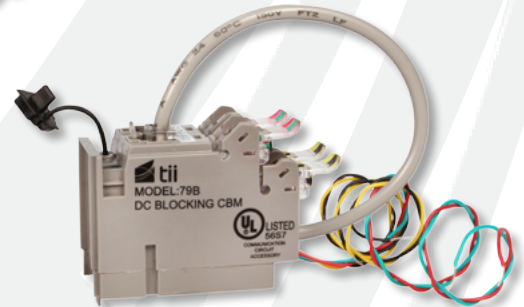
Tool-Less Terminations

Convenient POTS to VoIP
Only Service Selection

Multiple Customer Wiring
Terminations



79A



79B

The 79 is designed for applications requiring selection between POTS and VoIP only lines for backfed VoIP applications. It offers multiple outputs for two line pairs of customer premises telephone wire terminations. This unit will block Line DC (Drop-to-Prem) and permit voice to pass between the two IDC rocker pairs for the premise wiring.

KEY PRODUCT BENEFITS

- ▶ Telephone line service selection is accomplished by inserting RJ-14 plug into the desired POTS or VoIP only jacks
- ▶ RJ-14 jack for POTS service on the device can also be used as a demarcation point for dial tone detection and telephone fault location
- ▶ Provides two pair customer wire terminations for each line 1 (Red, Green) and line 2 (Yellow, Black)

	Application	Frequency	Insertion Loss (Maximum)
POTS + xDSL	Voice	200-4000 Hz	0.1 dB
	xDSL	30KHz – 8.5 MHz	0.5 dB
xDSL Jack	xDSL	30KHz – 8.5 MHz	0.5 dB



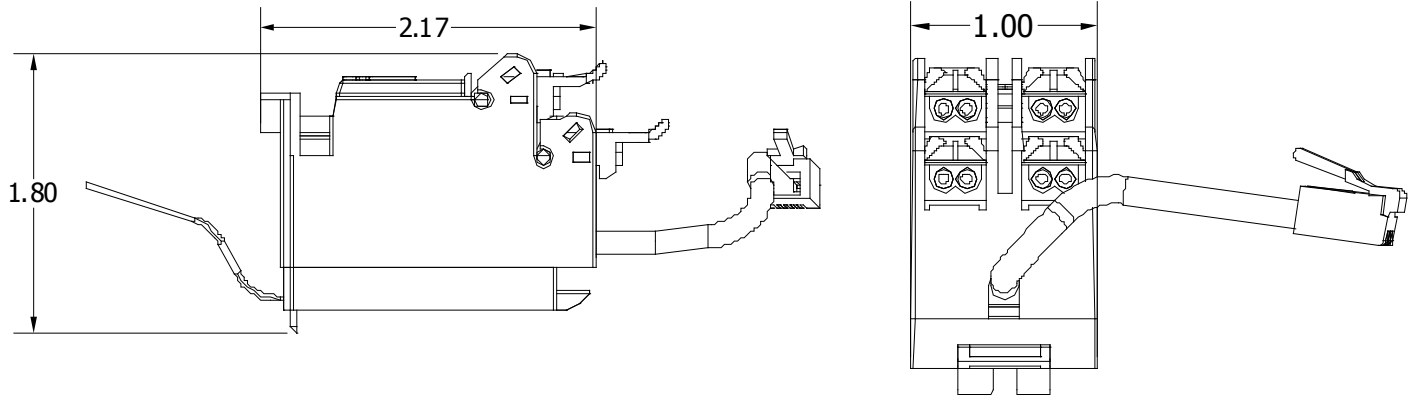
Tii Technologies Inc.

Corporate Headquarters:

141 Rodeo Drive
Edgewood, NY 11717
Phone: 631.789.5000
Fax: 631.789.5063
Toll Free: 888.844.4720
sales@tiitech.com

- ▶ Terminations are made to gel-sealed insulation displacement connectors (IDC) by means of convenient tool-less rocker assemblies. Wire stripping is not required. The dielectric withstand between service provider jacks is greater than 5000 VAC
- ▶ Mounts in the customer compartment of the Telephone Network Interface Device
- ▶ Accepts 26 through 22 gauge solid conductor wire sizes

79 Series



Dimensions are in Inches

ORDERING INFORMATION

Model No.	Description
79A	2-Line POTS DC Blocking Switch with Input Wires exiting from rear of unit
79B	2-Line POTS DC Blocking Switch with Input Wires exiting from front of unit