

764S

Indoor Gel Sealed Network Demarcation Device

Serves as an Indoor
Demarcation Point

Ideal for VoIP Applications

Equipped With Gel Sealed
Auto-Jack® Test Receptacle
and IDC Connections

Serves As a
Standard Phone Jack

Listed to UL 1863



The 764S Indoor Gel-Sealed Network Demarcation device is ideally suited for VoIP and multi-dwelling unit applications. This is a wall mount unit which may be mounted to a standard, single gang wall box.

KEY PRODUCT BENEFITS

- ▶ Provides a convenient way to perform customer premise demarcation testing.
- ▶ A phone jack is provided on each unit so that a telephone connection may be established at the location.
- ▶ Tool-less IDC rocker for telephone wire connections on the back side of jack plate
- ▶ Equipped with Tii's unique patented Auto-Jack RJ-11® test receptacle. No RJ-11 plug to remove prior to testing.
- ▶ For VoIP applications the voice line output of the modem easily connects to the input IDC rocker of the device. All other internal customer premise phone jacks should then be connected to the output IDC rocker of the device.
- ▶ For multi-dwelling unit applications the incoming telco service wires are connected to the Insulation Displacement Contacts (IDCs) . All other internal customer premise phone jacks should then be connected to the output IDC rocker of the device.
- ▶ The 764S can be equipped with an optional half-ringer test circuit for remote testing.

INDUSTRY STANDARDS

- ▶ Listed to UL 1863

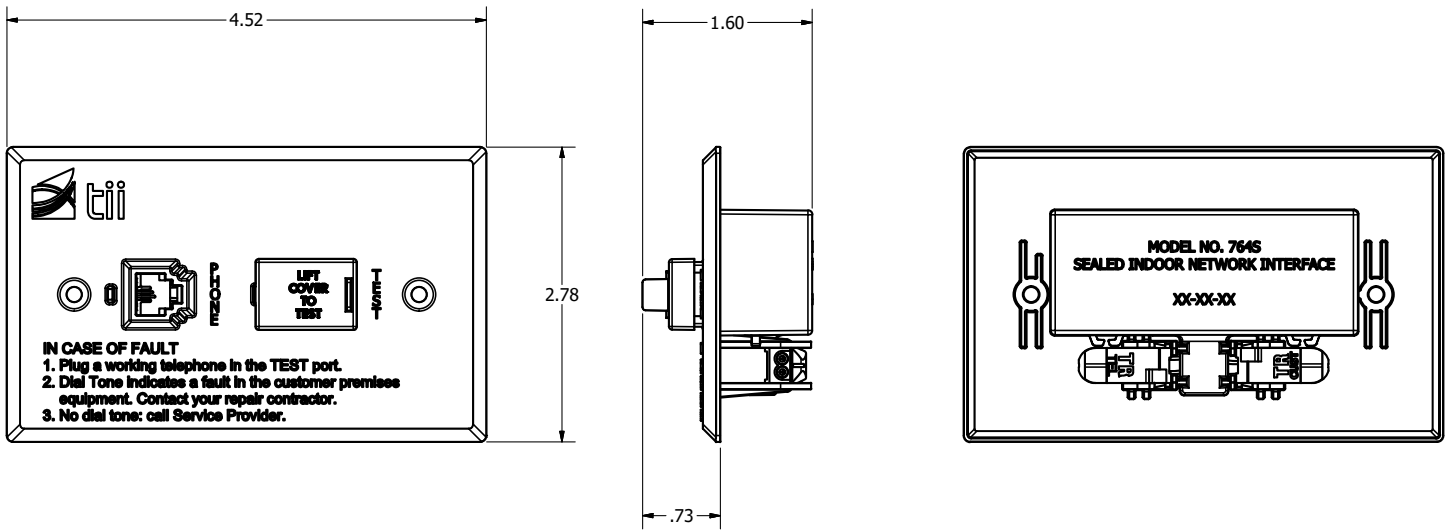


Tii Technologies Inc.

Corporate Headquarters:

141 Rodeo Drive
Edgewood, NY 11717
Phone: 631.789.5000
Fax: 631.789.5063
Toll Free: 888.844.4720
sales@tiitech.com

764S



Dimensions are in Inches

ORDERING INFORMATION

Model No.	Description
764S	Indoor Gel Sealed Contact Indoor Demarcation Device
764S-01	Indoor Gel Sealed Contact Indoor Demarcation Device with Half-Ringer