

761M Series

Flush Mount Indoor Phone Jack Plate for Digital Voice Applications

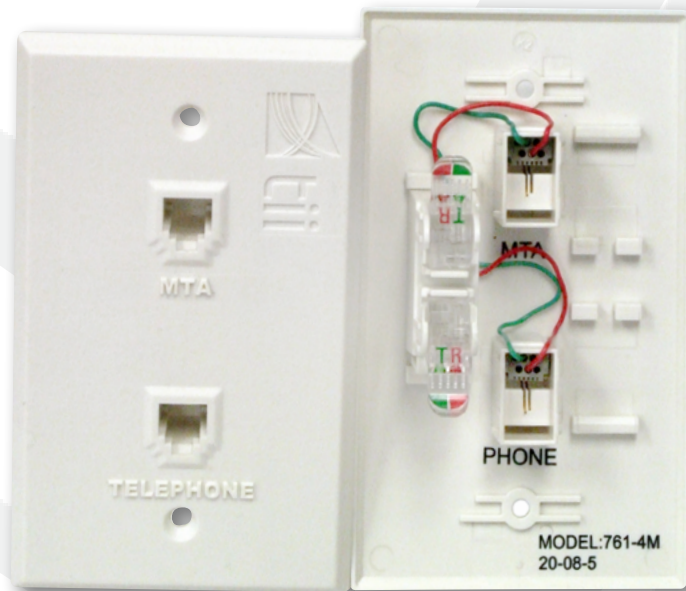
For Providing Telephone
Connections Through
RJ-11 Jack

Two Conductor IDC
Terminations

Single Rocker Assembly
for Simple and Reliable
Connections

Low Contact Resistance

No Attenuation to
Telephone Signals



761-4M

The 761 series flush mount indoor phone jack plate is designed to provide convenient RJ-11 connectivity with IDC termination in the bac and utilizes tii's proprietary gel filled IDC rockers for wire terminations. The IDC rockers are color coded for tip and ring wire orientations. Termination of wires is easy as the wires do not need stripping. All one needs is to lift the rocker, straighten ends of the wire, insert and pull the rockers in fully down position.

KEY PRODUCT BENEFITS

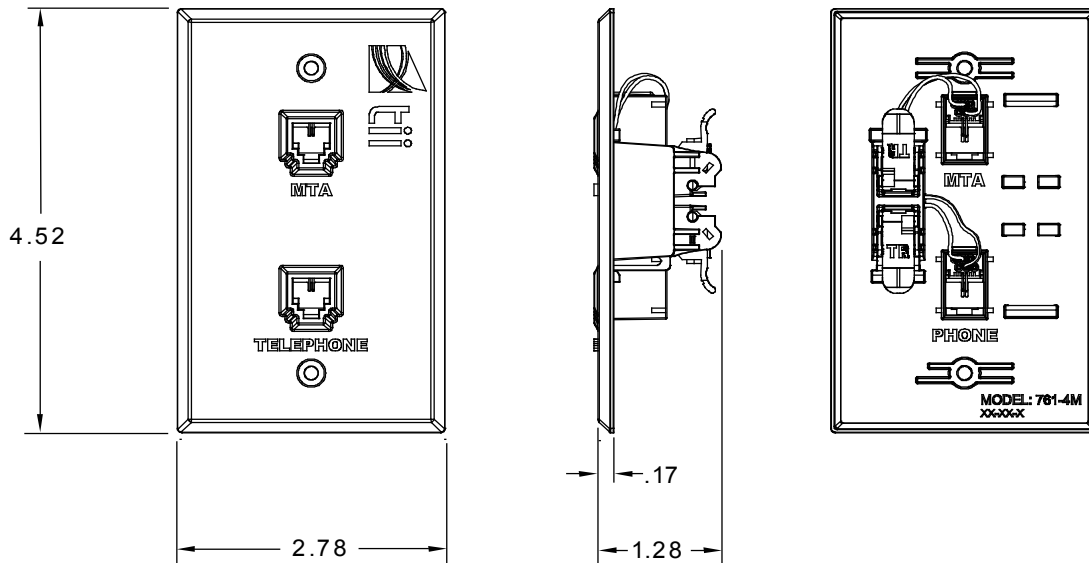
- ▶ The 761 is a standard wall plate sized device and can be located at any telephone jack location.
- ▶ Dual conductor gold plated R-J11 jack for reliable RJ-11 connection
- ▶ Tool-less IDC rocker for telephone wire connections on the back side of jack plate
- ▶ All contacts are rated for 1.5 Amp max current
- ▶ IDC rockers are gel-filled for long term reliable connections.



Tii Technologies Inc.

Corporate Headquarters:
141 Rodeo Drive
Edgewood, NY 11717
Phone: 631.789.5000
Fax: 631.789.5063
Toll Free: 888.844.4720
sales@tiitech.com

761M Series



Dimensions are in Inches

SPECIFICATIONS

Operating Voltage Range	40-60 Volts DC
Ringing Voltage	60-90 Volts AC
IDC Termination Gauge	#26-22
Operating Temperature	-40 to 60° C
Current Rating	1.5A Max
Dielectric Withstand Voltage	1000 V Min.
Insulation Resistance	> 100 Megohms
Contact Resistance	< 50 Megohms

ORDERING INFORMATION

Model No.	Description
761()-1M	Wall Plate with a Single RJ-11 Jack and a Single Rocker Assembly
761()-2M	Wall Plate with a Single RJ-11 Jack and a Double Rocker Assembly
761()-3M	Wall Plate with Double RJ-11 Jacks and a Single Rocker Assembly
761()-4M	Wall Plate with Double RJ-11 Jacks and a Double Rocker Assembly
761()-5M	Wall Plate with Double RJ-11 Jacks and 2 Single Rocker Assemblies
761()-6M	Wall Plate with Double RJ-11 Jacks and 2 Double Rocker Assemblies

Please insert "S" in place of ()
S designates a sealed RJ-11 jack