

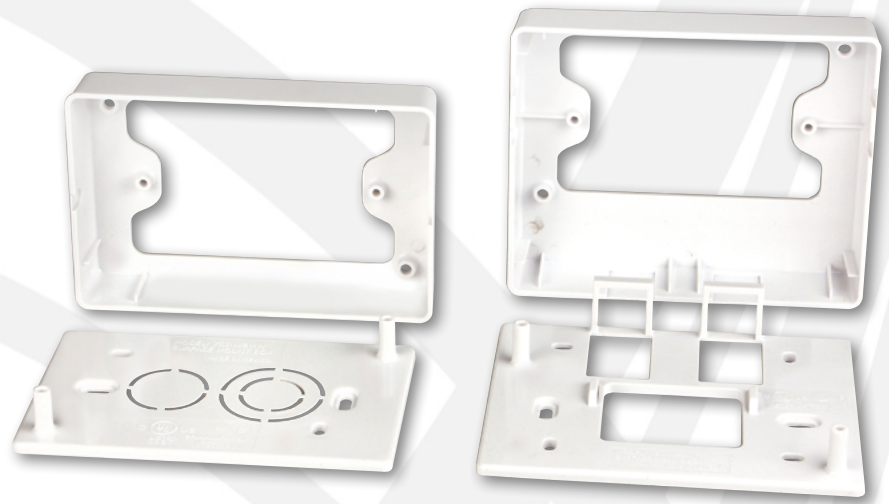
761-WB1-W 761-WB2-W

Surface Mount Wall Boxes

Enables Surface Mounting of any
Standard Wall Jack

Mounts to Drywall or
Standard Gang Box

Model 761-WB2-W Provides
Two Suttle SpeedStar™
Compatible Knockouts



761-WB1-W

761-WB2-W

761-WB1-W and 761-WB2-W surface mount boxes are designed to enable surface mounting of any standard wall jack. These boxes provide various mounting and wire entry options to simplify and speed wall jack installation. The 761-WB1 allows direct mounting of a single wall jack, the 761-WB2-W additionally provides knockouts for two Suttle SpeedStar™ compatible snap-in modules.

KEY PRODUCT BENEFITS

- ▶ Enables surface mounting of any standard wall jack for retrofit applications
- ▶ Two mounting holes for direct attachment to drywall
- ▶ Two mounting holes for attachment to standard gang box
- ▶ Oversized profile to cover irregular or damaged openings in wall
- ▶ Multiple rear knockouts for rear wire entry
- ▶ Symmetrical top and bottom knockouts for wire entry from standard wall jack modules in NID
- ▶ Knockout provisions cannot be seen externally when left in place
- ▶ Integrated strain relief features for CAT5e entry wire
- ▶ Model 761-WB2-W provides knockouts for two Suttle SpeedStar™ compatible snap-in modules with adequate space for CAT5e and coax bend radius management
- ▶ Simple and fast installation using only a screwdriver
- ▶ Flame retardant thermoplastic

INDUSTRY STANDARDS

- ▶ Telcordia TR-NWT-001334, Generic Requirements for Modular Connecting Block
- ▶ TIA/EIA/IS-968
- ▶ Listed to UL 1863



Tii Technologies Inc.

Corporate Headquarters:

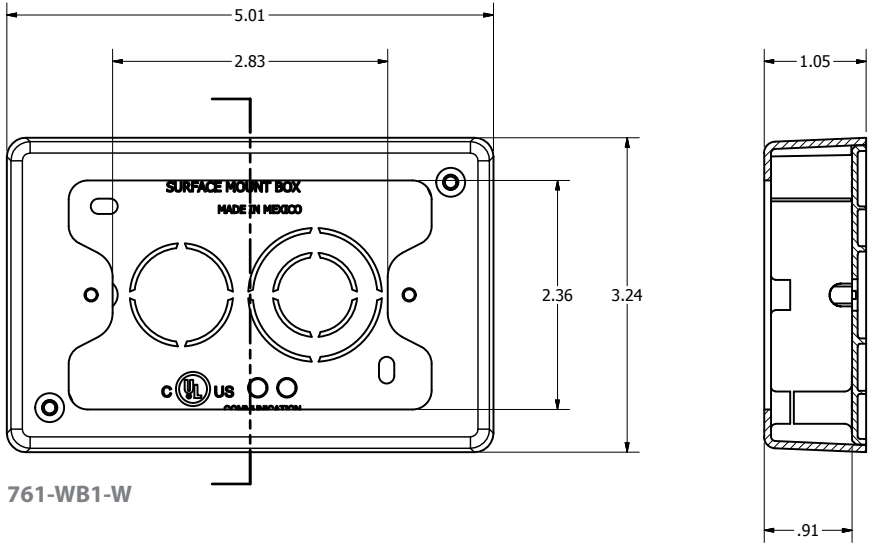
141 Rodeo Drive
Edgewood, NY 11717
Phone: 631.789.5000 • Fax: 631.789.5063
Toll Free: 888.844.4720
sales@tiitech.com

Locations:

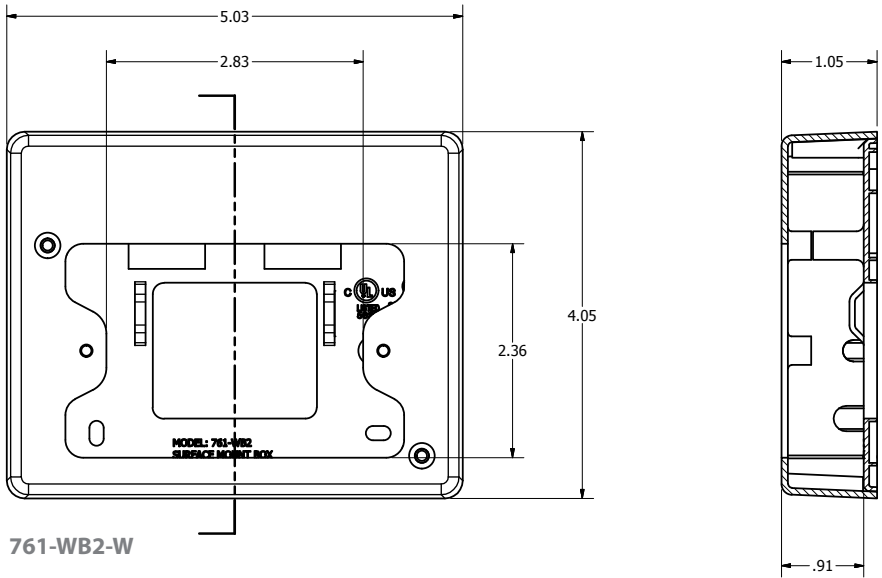
South March
Long March Industrial Estate
Daventry, Northamptonshire, NN11 4PH, UK
Phone: +44 (0) 1327 301853
Fax: +44 (0) 1327 879532
sales@tiitech.co.uk

Av. José de Escandón y Helguera
No. 21 Ciudad Industrial
Matamoros, Tamaulipas, C.P. 87494, México
Phone: 868.812.8011 • Fax: 868.812.8025
salesmx@tiitech.com.mx

761-WB1-W / 761-WB2-W



761-WB1-W



761-WB2-W

Dimensions are in Inches

SPECIFICATIONS

	761-WB1-W	761-WB2-W
Dimensions (WxHxD)	5.01" x 3.24" x 1.05"	5.03" x 4.05" x 1.05"
Unit Weight	0.15 lbs	0.2 lbs

ORDERING INFORMATION

761	-XX	-X
Version		Color
	WB1 = Wall Box	W = White
	WB2 = Wall Box with Suttle SpeedStar™ Knockouts	