

## 751-1T-12

### *Indoor DSL POTS Splitter Module for VDSL2/ADSL2+, IPTV Services*

Utilizes Switchable  
RJ-11 Auto-Jack®

Meets IPTV Ring Trip  
Saturation Current  
Requirements for  
VDSL2 and ADSL2+ Systems  
Delivering IPTV Signals

IDC Terminations for  
DSL and Voice Signals

Listed to UL 1863



**Tii Technologies Inc.**

**Corporate Headquarters:**

141 Rodeo Drive  
Edgewood, NY 11717  
Phone: 631.789.5000  
Fax: 631.789.5063  
Toll Free: 888.844.4720  
sales@tiitech.com



751-1T-12

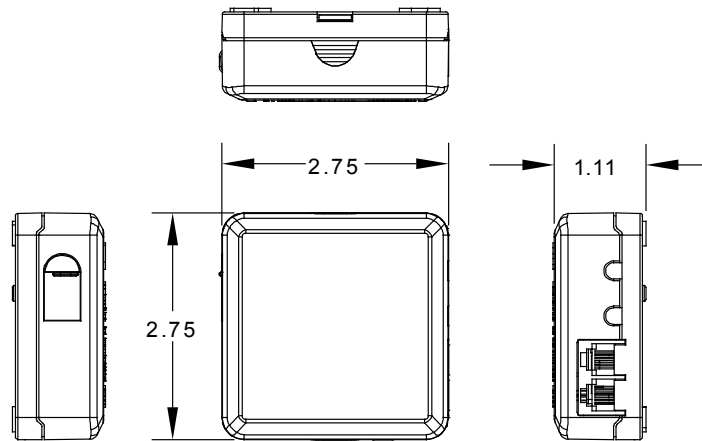
The 751-1T-12 Indoor xDSL POTS Splitter Module splits the combined voice and data signals carried on telephone lines providing separate outputs for both phone and data services. It is designed to be mounted inside the customer premises. RJ jacks or sealed rocker/IDC terminals connect directly to the equipment with data grade cabling. The 751-1T-12 contains Tii's Auto-Jack® test receptacle which disconnects CO signals from customer wiring to facilitate troubleshooting problems.

#### **KEY PRODUCT BENEFITS**

- ▶ Module's unique design provides customer bridging and DSL POTS splitting in one module
- ▶ The 751-1T-12 splitter design makes it possible to use a single phone line to provide triple play services including VDSL2/ADSL2+ and IPTV
- ▶ The 751-1T-12 has both RJ jacks and sealed IDC rocker terminals for flexible wiring schemes
- ▶ When engaged, the Auto-Jack® connects the RJ-11 test plug contacts to the central office (CO) for dial tone validation while disconnecting the customer from the circuit
- ▶ This compact POTS splitter can be mounted easily in the desired location

#### **INDUSTRY STANDARDS**

- ▶ ANSI T1.424 - Compliant to full VDSL2 30MHz bandwidth
- ▶ Listed to UL 1863 and CSA 22.2, No. 182.4-M90



Dimensions are in Inches

## SPECIFICATIONS

### ELECTRICAL (Complies with ANSI T1.424 Issue 2 Annex E)

DC Loop Current	0 to 100 mA
DC Loop Voltage (tip-to-ring)	0 to -60Vdc
Ringing Signals	103 Vrms superimposed on the DC Loop Voltage; 20 - 30 Hz
DC Resistance	< 20 ohms, POTS tip-to-ring with Line port (U-R) shorted
Insertion Loss (Short & Long Loop)	≤ 0.5 dB
Tip-to-Ring Capacitance, POTS port	20 ≤ C ≤ 100 nF; 20 - 30 Hz
Input Impedance (Measured Level)	≤ 0.25 Db; 30 kHz - 30 MHz, ZTr = 600
Attenuation Distortion (Voice Band), Increase relative to Insertion Loss at 1004 Hz	+0.7 to -0.5dB; 200 - 3.4 kHz, short loop, ZTc = 900, ZTr = 600 +0.7 to -0.5dB; 3.4 - 4.0 kHz, short loop, ZTc = 900, ZTr = 600 +0.4 to -0.5dB; 200 - 3.4 kHz, long loop, ZTc = 900, ZTr = 600 +0.5 to -0.5dB; 3.4 - 4.0 kHz, long loop, ZTc = 900, ZTr = 600
Delay Distortion (Voice Band)	< 25μs
Return Loss (Voice Band) (Short & Long Loop)	> 7 dB
Longitudinal Balance, Two Port Technique, DSL to Line Port (U - R) and Line Port (U - R) to POTS	> 60 dB; 30 - 1100 kHz > 55 dB; 1100 kHz - 30 MHz
Capacitance to Ground, POTS Port	≤ 1.0 nF; 20 - 30 Hz
DSL Band Attenuation	> 65 dB; 30 kHz - 30 MHz
DC Current Influence (Ring Trip)	< 2% up to 300 mA
Inter-modulation Distortion (MTPR) for 2nd Order for 3rd Order	> 85 dBc > 75 dBc

### ENVIRONMENTAL

Lightning Surge	GR-1089 CORE Level 1 and Level 2 Surge
Power Cross	GR-1089 CORE First and Second Level AC Power Fault Immunity
Operating Temperature	-40 to +65 °C (-40 to 149 °F)

## ORDERING INFORMATION

Model No.	Description
751-1T-12	xDSL POTS Splitter Module for VDSL2/ADSL2+, IPTV Services with RJ11 Input from Modem