

69T Series

Sealed Wire Terminal

For Indoor or Outdoor
Applications

Offers Multiple Extension
Connections for One or
Two VoIP (or POTS) Lines

Equipped with Integral
Sealed Test Points

Available in Multiple
Configurations

CAT-6 Compliant

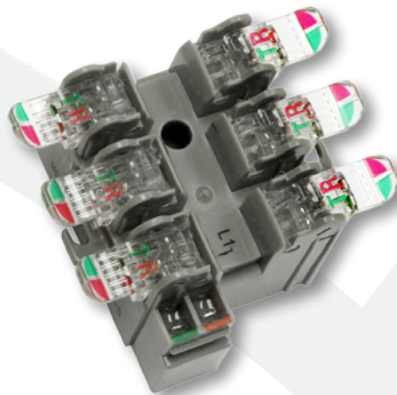
Listed to UL 1863



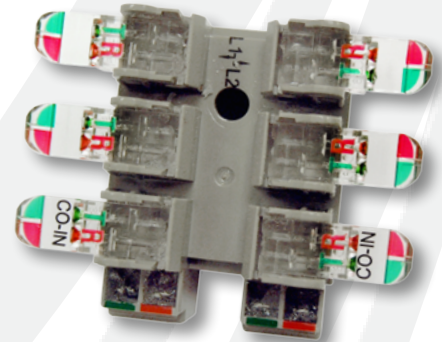
Tii Technologies Inc.

Corporate Headquarters:

141 Rodeo Drive
Edgewood, NY 11717
Phone: 631.789.5000
Fax: 631.789.5063
Toll Free: 888.844.4720
sales@tiitech.com



69T-1



69T-2

The 69T Series Sealed Wire Terminal is designed for applications requiring more than one parallel connection (extension) to a single or two pair service. This product is an ideal fit for Voice Over Internet Protocol (VoIP) networks.

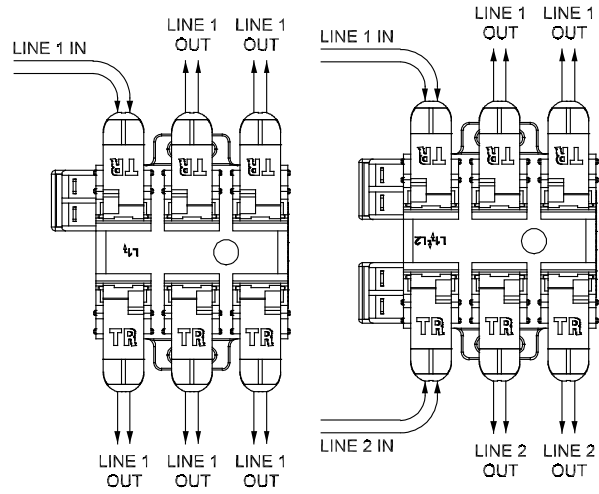
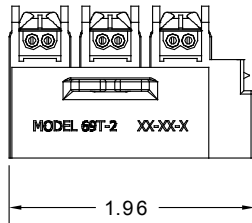
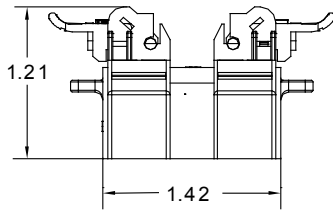
KEY PRODUCT BENEFITS

- ▶ Incorporates integral sealed test points – no additional loose test clips required
- ▶ Accommodates multiple extension connections for one or two line VoIP (or POTS) signals
- ▶ Equipped with side wire looms for easy wire management
- ▶ Terminations are made to gel-sealed insulation displacement contacts (IDC) by means of convenient tool-less rocker assemblies. Wire stripping is not required
- ▶ Compact, low profile design fits into applications where space is limited
- ▶ May be mounted via screws to a suitable flat surface or installed in a indoor/outdoor wire terminal housing
- ▶ Designed to mount in a 162 Series outdoor enclosure
- ▶ Accepts 26 through 22 gauge solid conductor wire sizes

INDUSTRY STANDARDS

- ▶ Listed to UL 1863

69T Series



Dimensions are in Inches

ORDERING INFORMATION

Model No.	Description
69T-1	1 Pair Input, 5 Parallel Pair Outputs Sealed Wire Terminal with Integral Sealed Test Points
69T-2	2 Pair Inputs, 4 Parallel Pair Outputs Sealed Wire Terminal with Integral Sealed Test Points