

68 Series

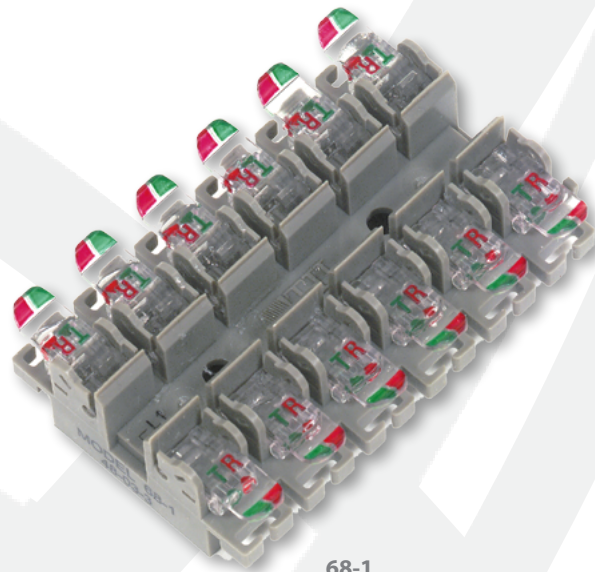
Sealed Wire Terminal

Available in Multiple
Configurations

Utilizes Tii's Gel-Sealed
IDC Rocker Design

Mounts Easily to a
Suitable Flat Surface or
Installs in a UL Listed
Wire Terminal Housing

Tool-Less Terminations
CAT-6 Compliant



68 Series Sealed Wire Terminals are designed for applications requiring more than one parallel connection to a single tip-ring pair. The 68 Series offers one or more outputs to each single pair input.

KEY PRODUCT BENEFITS

- ▶ Terminations are made to gel-sealed insulation displacement contacts (IDC) by means of convenient tool-less rocker assemblies. Wire stripping is not required
- ▶ Compact, low profile design fits into applications where space is limited
- ▶ The 68 Series may be mounted via screws to a suitable flat surface or installed within a TII indoor/outdoor wire terminal housing
- ▶ Accepts 26 through 22 gauge solid conductor wire sizes

INDUSTRY STANDARDS

- ▶ Listed to UL 1863

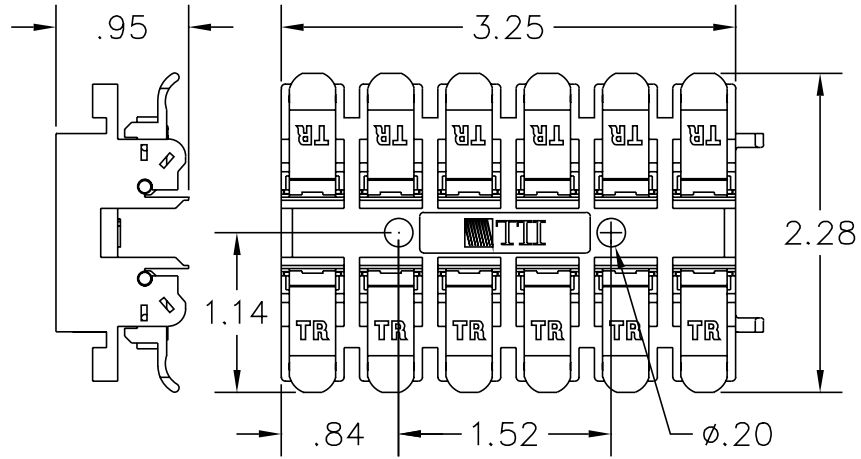


Tii Technologies Inc.

Corporate Headquarters:

141 Rodeo Drive
Edgewood, NY 11717
Phone: 631.789.5000
Fax: 631.789.5063
Toll Free: 888.844.4720
sales@tiitech.com

68 Series



Dimensions are in Inches

ORDERING INFORMATION

Model No.

Description

68-1

1 Pair Input, 11 Parallel Pair Outputs, Sealed Wire Terminal

68-2

2 Pair Inputs, 10 Parallel Pair Outputs, Sealed Wire Terminal

68-6

6 Pair Inputs, 6 Parallel Pair Outputs, Sealed Wire Terminal