

## 507F Series

### *Fiber Interface Device/Slack Storage Unit*

Equipped with Drop and  
OSP Fiber Slack Storage

Rugged Plastic Housing  
with Separate Entry Points  
for OSP and Customer Fiber

Terminates up to  
12 Single Cables

Accommodates Multiple  
Sizes of LB Fittings

Compact,  
Craft-Friendly Design

Allows for Fiber Slack  
Storage Up to 50ft.

Designed to GR-771



**Tii Technologies Inc.**

**Corporate Headquarters:**

141 Rodeo Drive  
Edgewood, NY 11717  
Phone: 631.789.5000  
Fax: 631.789.5063  
Toll Free: 888.844.4720  
sales@tiitech.com

[www.tiitech.com](http://www.tiitech.com)



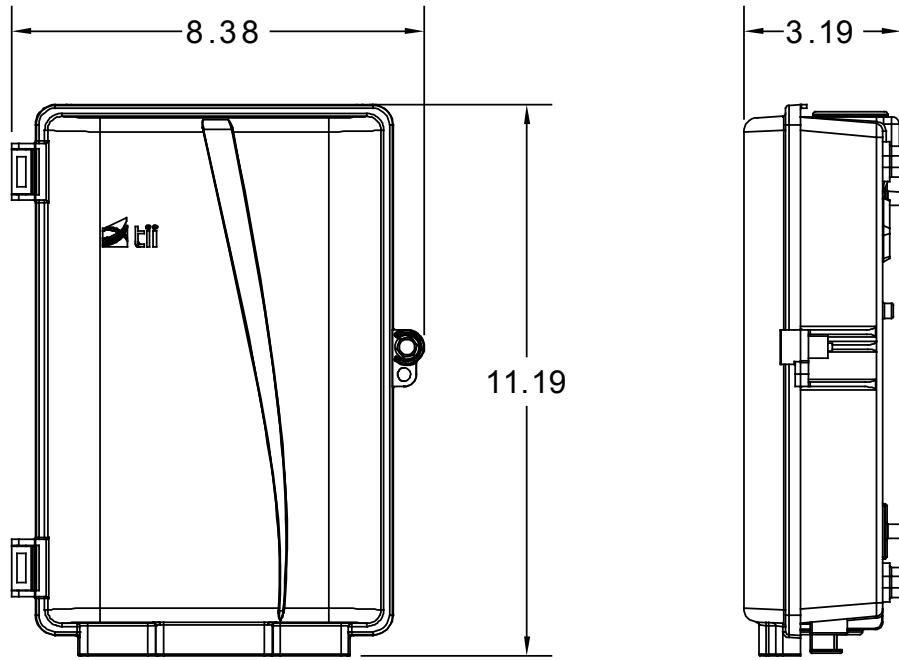
507F Fiber Interface Device/Slack Storage is a compact unit featuring connectivity between the OSP fiber drop and customer fiber drop, as well as slack storage for up to 50ft. of customer drop fiber. This unit accommodates multiple sizes of LB fittings and allows for termination through conduit at the top and bottom of the unit. The 507F is configurable for 1 to 12 fiber adapters.

### KEY PRODUCT BENEFITS

- ▶ Provides SC demarcation point between outdoor fiber drop and customer premise fiber
- ▶ Accommodates multiple LB fittings
- ▶ Allows for termination through conduit at the top and bottom of the unit
- ▶ Constructed of superior materials capable of withstanding harsh outdoor environments, including UV degradation, chemical exposure, and extreme temperatures
- ▶ Designed for bend sensitive fiber installations with up to 3 inch bend radius
- ▶ Corner slack retention features retain "springy" OSP and bend sensitive fiber
- ▶ Entry grommets accept up to 1 inch conduit with provision for tie wrap retention
- ▶ 2X internal tie down features for proper strain relief of fiber cables
- ▶ Knockouts on back provide alternate entry scheme for fiber mini duct tubing
- ▶ Hinged cover fits securely on the base to provide maximum protection against environmental conditions and intrusion of foreign matter, protecting sensitive fiber connectivity
- ▶ Cover closes securely with 3/8" hex head bolt and has a provision for a tie-wrap

### INDUSTRY STANDARDS

- ▶ Meets GR-771 Requirements



Dimensions are in Inches

**ORDERING INFORMATION**

507F	-XX	XX	XX
	Adapter Plate	Adapter Type	# of Adapters
	01 = Fiber Plate (1,2, or 4 adapters only)*	01 = SC-APC	01 = 1
	02 = Fiber Plate (6 Adapters)	02 = SC-UPC	02 = 2
	03 = 1.5" Fiber Storage Tray		03 = 3
	04 = Fiber Plate (12 Adapters)		04 = 4
			06 = 6
			12 = 12