

506, 1506

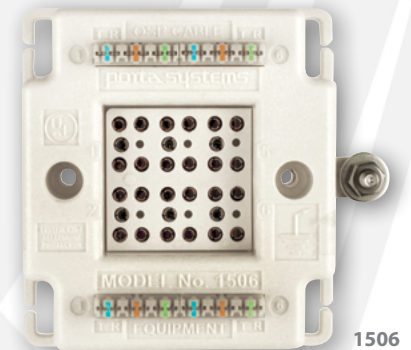
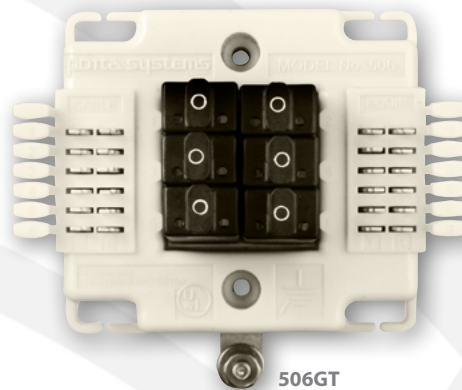
6 Pair, 5-Pin Building Entrance Protector Packs

For Protection of Electronic
Telephone Systems, PBXs,
KSUs and Key Systems

Uses Standard 5-Pin Protectors

66 or 110 Termination
Input/Output

UL Listed for Primary and
Secondary Protection



UL Listed Primary and Secondary five-pin protector packs are suitable for use at the demarcation point for Customer Premise owners and installers for runs between buildings in an industrial, commercial, or campus environment to protect communication networks.

KEY PRODUCT BENEFITS

- ▶ Utilizes industry standard 5-pin protector modules
- ▶ 506 features 66 IDC termination input/output
- ▶ 1506 features 110 IDC termination input/output
- ▶ High-impact, fire retardant housing
- ▶ Units can be cascaded to provide for expansion
- ▶ Compact, lightweight design

INDUSTRY STANDARDS

- ▶ UL 497 Listed for primary protection
- ▶ UL 497A & 497B Listed for secondary protection



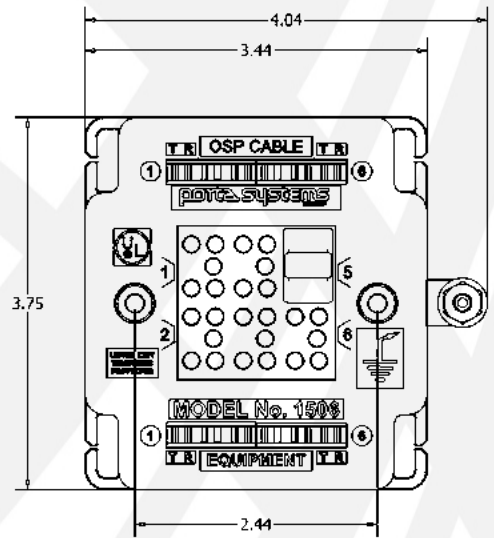
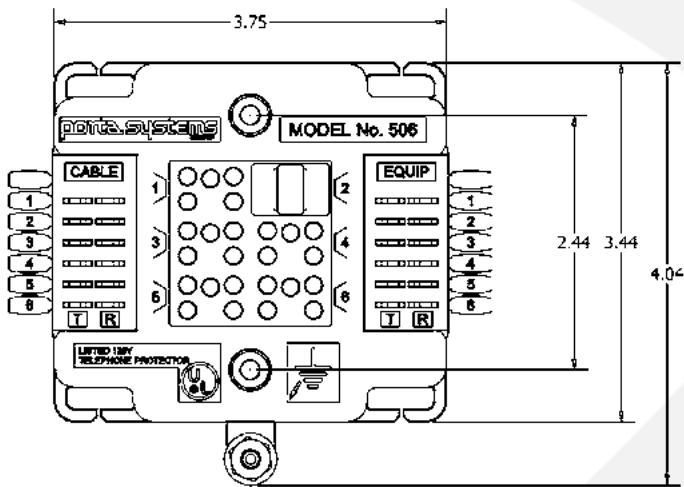
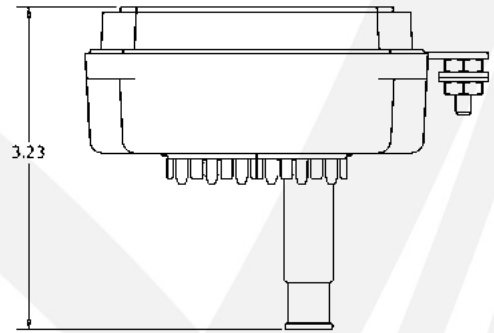
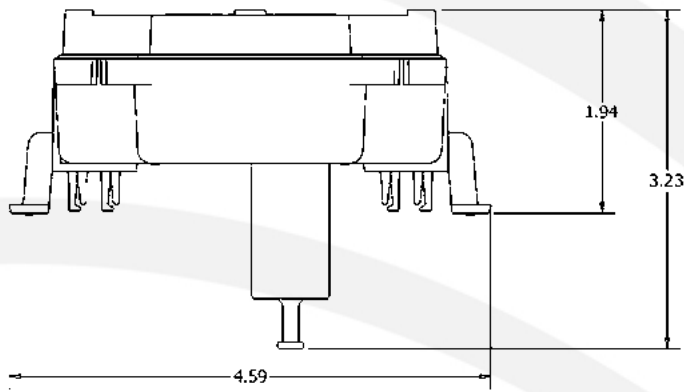
Tii Technologies Inc.

Corporate Headquarters:

141 Rodeo Drive
Edgewood, NY 11717
Phone: 631.789.5000
Fax: 631.789.5063
Toll Free: 888.844.4720
sales@tiitech.com

www.tiitech.com

506 / 1506



Dimensions are in Inches

	Dimensions (height x width x depth)	Weight (approx.)
506	4" x 4.6" x 3.3" (10 cm x 11.7 cm x 8.2 cm)	2 lbs.
1506	3.75" x 4" x 3.3" (9.5 cm x 10 cm x 8.2 cm)	

ORDERING INFORMATION

Model #	Pair Count	Input	Output	Modules	Module Model#
506	6	66	66	None	N/A
506GT	6	66	66	230V Gas Tube	175-3C1EW-NL
506SS240	6	66	66	240V Solid State	115-6C1FSC-N
1506	6	110	110	None	N/A
1506GT	6	110	110	350V Gas Tube	175-3C1EW-NL
1506SS240	6	110	110	240V Solid State	115-6C1FSC-N