

505E Series

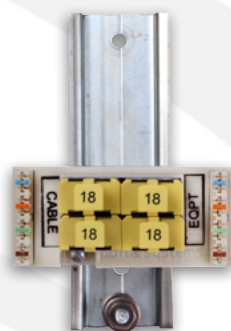
110 Termination CAT5E Protector Packs

Designed For Use In Enclosures

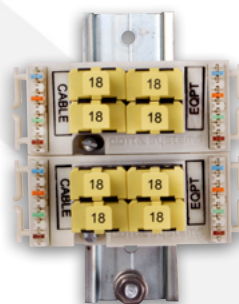
Power Over Ethernet (PoE)
Circuit Protection

Modular Design Allows For
Easy Custom Configuration

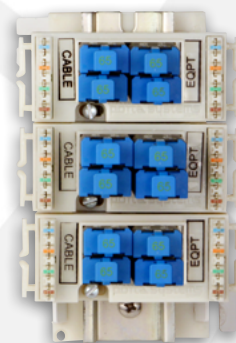
Covers Included



505E4-18



505E8-18



505E12-65



505E32-65

KEY PRODUCT BENEFITS

- ▶ Ultra-low capacitance Solid State Technology provides protection for frequencies up to 100 MHz for CAT 5E performance
- ▶ DIN rail mounting bracket included with 4 and 8 pair
- ▶ Style 89E Standoff Brackets included with 12 pair
- ▶ Style 89D Standoff Brackets included with 24 or 32 pair
- ▶ Available with 18V or 27V factory installed solid state protectors for data, 65V protectors for VoIP or PoE
- ▶ Operating Temperature: -13°F to 149°F (-25°C to 65°C)

INDUSTRY STANDARDS

- ▶ UL 497, 497A and UL 497B listed for Primary, Secondary, and Isolated Loop Circuit Protection
- ▶ ISO 9001:2000 registered facility



Tii Technologies Inc.

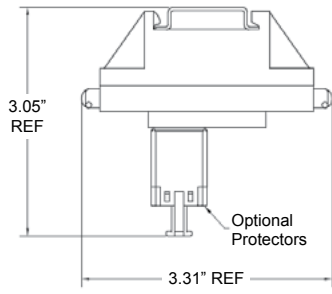
Corporate Headquarters:

141 Rodeo Drive
Edgewood, NY 11717
Phone: 631.789.5000 • Fax: 631.789.5063
Toll Free: 888.844.4720
sales@tiitech.com

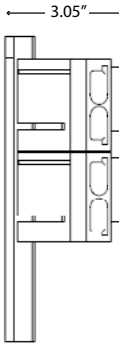
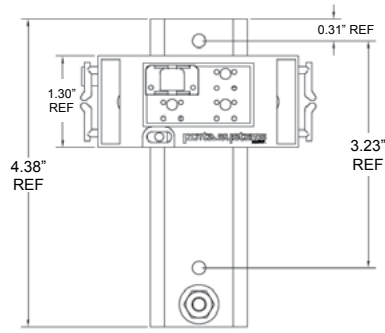
www.tiitech.com

Porta
systems products

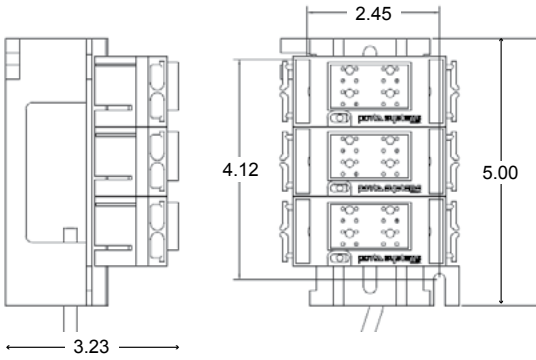
505E Series



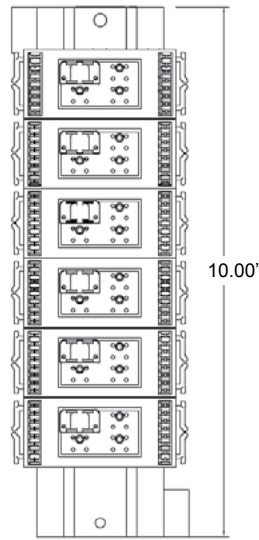
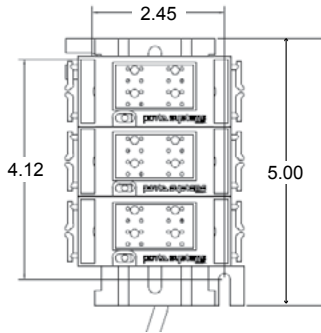
505E4



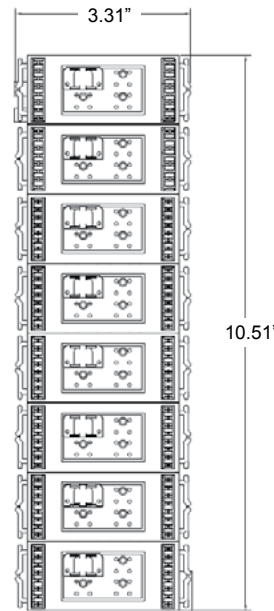
505E8



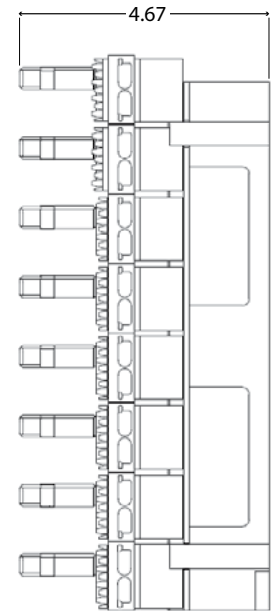
505E12



505E24



505E32



Measurements are in Inches & do not include covers

ORDERING INFORMATION

Model No.	Pair Count	Mounting	Modules	Module Model#
505E4-18	4	DIN Rail	18V	LVP18
505E4-27	4	DIN Rail	27V	LVP27
505E4-65	4	DIN Rail	65V	LVP65
505E8-18	8	DIN Rail	18V	LVP18E
505E8-27	8	DIN Rail	27V	LVP27E
505E8-65	8	DIN Rail	65V	LVP65E
505E12-18	12	89E Bracket	18V	LVP18E
505E12-27	12	89E Bracket	27V	LVP27E
505E12-65	12	89E Bracket	65V	LVP65E
505E24-18	24	89D Bracket	18V	LVP18
505E24-27	24	89D Bracket	27V	LVP27
505E24-65	24	89D Bracket	65V	LVP65
505E32-18	32	89D Bracket	18V	LVP18
505E32-27	32	89D Bracket	27V	LVP27
505E32-65	32	89D Bracket	65V	LVP65