

3800

COCOT Mounting Base

Molded Plastic Base
with Magnetic or Screw
Mounting Capability

Suitable for COCOT
Applications and
WiFi Public Access
Internet Points

Provides Network
Interface Capability

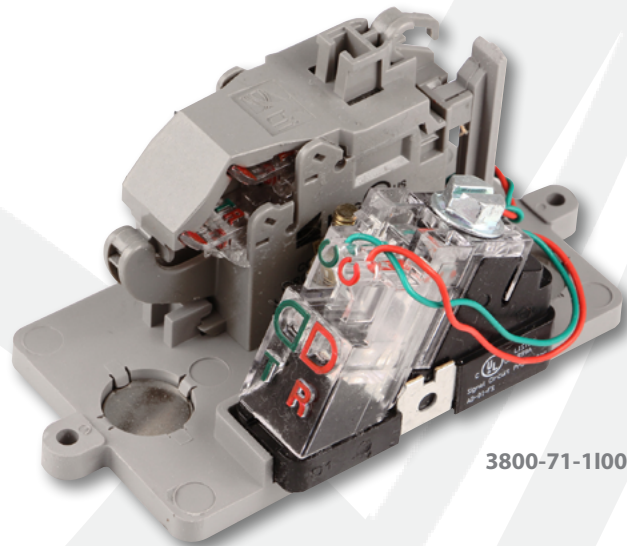
Convenient
Ground Provision



Tii Technologies Inc.

Corporate Headquarters:
141 Rodeo Drive
Edgewood, NY 11717
Phone: 631.789.5000
Fax: 631.789.5063
Toll Free: 888.844.4720
sales@tiitech.com

www.tiitech.com



3800-71-1100

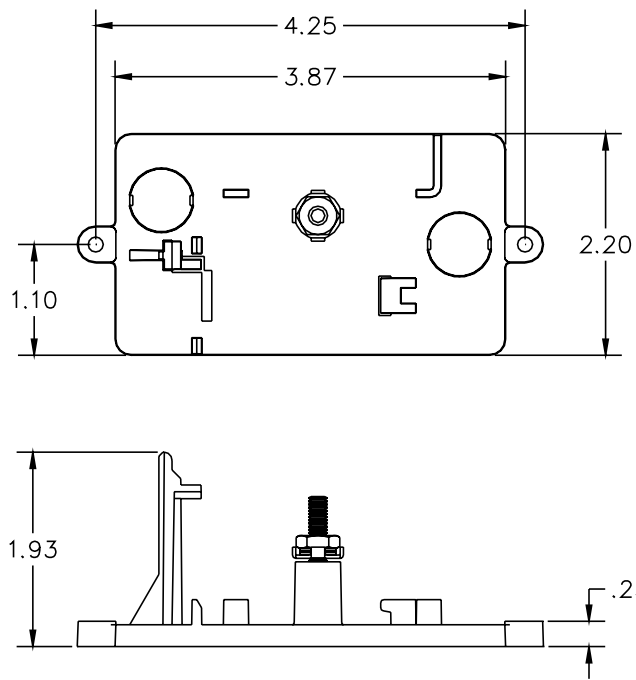
The 3800 COCOT (Customer Owned Coin Operated Telephone) Mounting Base provides single pair Network Interface Device (NID) capability on a rugged plastic base. The tii 3800 is ideally suited for COCOT and WiFi "Hot Spot" applications and can be magnetically or screw mounted.

KEY PRODUCT BENEFITS

- ▶ Small compact base accommodates a wide variety of tii Station Protectors and Customer Bridge Modules (CBM)
- ▶ Accommodates Tii's ADSL/POTS splitter modules making it ideal for pay telephone and public access internet WiFi "Hot Spots"
- ▶ Magnetic base for mounting to steel pedestal pay telephone equipment
- ▶ The station protector module is mounted and grounded to the 3800 by means of a conveniently located ground stud
- ▶ Optional CBMs include Tii's Auto-Jack® RJ-11 which is protected from the environment and requires no RJ-11 plug
- ▶ Each CBM accepts a standard RJ-11 plug for easy customer troubleshooting

INDUSTRY STANDARDS

- ▶ Protection modules exceed Telcordia GR-1361-CORE "Generic Requirements for Gas Tube Protectors" and Telcordia TR-NWT-000975 "Generic Requirements for Unprotected Terminal Blocks"
- ▶ Customer Bridge Module (CBM) meets Telcordia GR-1089-CORE "Normal and Severe Climatic" requirements for first and second level lightning surges
- ▶ Listed to UL 497 when installed with a Tii Primary Protector



Dimensions are in Inches

ORDERING INFORMATION

3800	-XX	-X	-X	-XX
Station Protectors		Customer Bridge Module		
		No. of CBMs	Wiring Type	Electronics
00 = None		0 = None	0 = None	00 = None
01 = 356L		1 = One	S = Insulated Screws	01 = 1/2 Ringer
03 = 356M1			I = IDC Terminations	09 = ADSL POTS Splitter
07 = 355M				10 = DSL Compliant 1/2 Ringer
15 = 126M				12 = VDSL2 POTS Splitter
17 = 126L1				14 = VDSL2 POTS Splitter with EMI Filter
22 = 122				18 = Combination 1/2 Ringer & RFI Filter
50 = 355MT				
51 = 127M				
52 = 372-S2				
53 = 356M2				
54 = 356M3				
71 = AD-01W-FS				
72 = AD-02W-FS				
73 = AD-M2-W-FS				
76 = AD-03W-FS				
78 = AD-01W-LP				
80 = ADX-L/R or W				

Standard Pkg. 20 pieces - 0.0938 lbs. (Base Only)