

# 372-S2

## 100 Base-T Surge Protection Module

Fully Encapsulated Components

Primary Heavy Duty Gas Tube Protection and Secondary Low Voltage Solid State Protection

372-S2 Provides Over-Current Protection

Suitable for Extended 100 Base-T Loop Circuits

Listed to UL 497 (Primary Protection)

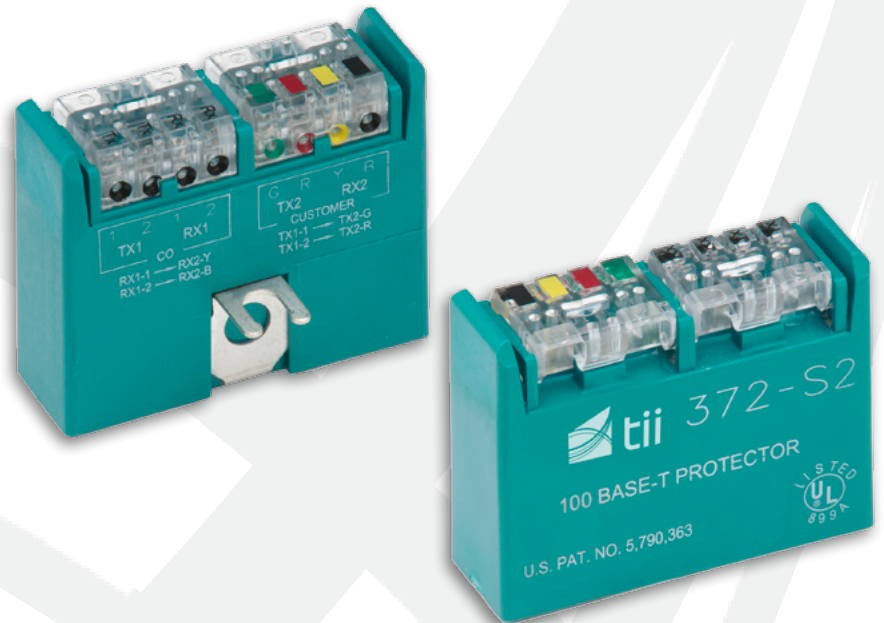


**Tii Technologies Inc.**

**Corporate Headquarters:**

141 Rodeo Drive  
Edgewood, NY 11717  
Phone: 631.789.5000  
Fax: 631.789.5063  
Toll Free: 888.844.4720  
sales@tiitech.com

www.tiitech.com



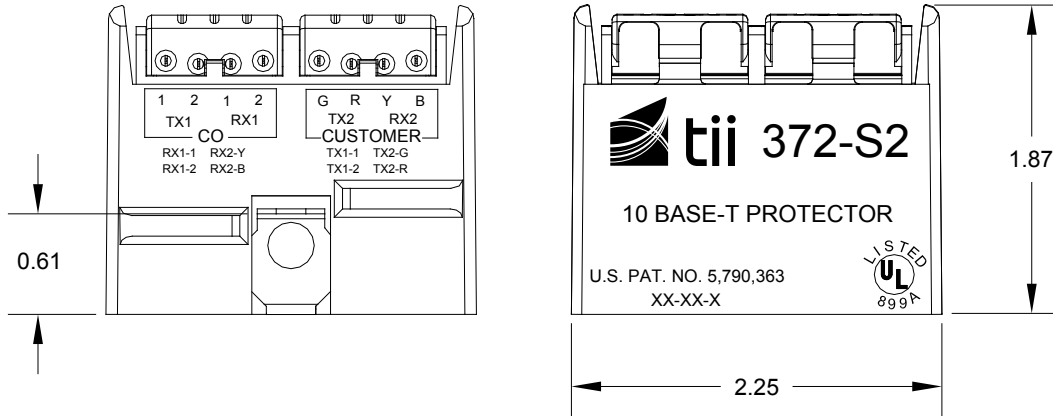
The 372-S2 100 Base-T Surge Protection Module is designed to provide state-of-the-art protection for 100 Base-T networks or similar high-speed, low-voltage, data networks.

### KEY PRODUCT BENEFITS

- ▶ Terminations are made by means of convenient rockers and Insulation Displacement Contacts (IDC)
- ▶ Uses three-electrode gas tubes for primary protection
- ▶ The 372-S2 uses a combination of components which protect the 100 Base-T network from over-current conditions while introducing minimal insertion loss to data transmission
- ▶ Low-voltage, high-surge absorbing avalanche diode bridge circuit, provides excellent low voltage clamping protection
- ▶ Low-voltage solid state protection elements provide fast response over-voltage protection
- ▶ Protection elements are encapsulated to protect them from any environmental factors that can adversely affect the performance of the protector

### INDUSTRY STANDARDS

- ▶ Listed to UL 497 as a primary surge protector
- ▶ Designed to meet Telcordia GR-1361-CORE "Generic Requirements for applicable requirements Gas Tube Protector Units," applicable requirements of Telcordia TR-NWT-000975 for unprotected terminal blocks and Telcordia TR-NWT-001305 requirements for surge protected terminal blocks



Dimensions are in Inches

## Customer Side

DC Breakdown	22-30 Volts
Impulse Breakdown Voltage @ 100V/ $\mu$ sec.	40V Max.

## Impulse Life:

10 Amp, 10/1000 $\mu$ sec. waveform	1500 Surges
100 Amp, 10/1000 $\mu$ sec. waveform	100 Surges
300 Amp, 10/1000 $\mu$ sec. waveform	50 Surges

## AC Discharge Current

10 Amp, 1 Second	5 Operations
1 Amp, 1 Second	60 Operations

Maximum Single Impulse Discharge Current 8/20 $\mu$ sec. waveform	10 kA
--	-------

Over-Current Protection Holding (pass-through) Current	150 mA
Maximum Interrupt Current	3 Amps

Series Resistance Each Line	8-14 Ohms
-----------------------------	-----------

Insertion Loss (0.5 MHz – 100 MHz)	< 1 dB
------------------------------------	--------

Capacitance	< 50pF
-------------	--------

## ORDERING INFORMATION

Model No.	Description	Standard Pkg.
372-S2	100 Base-T Surge Protection Module	50 pieces - 0.175 lbs. each