

## 356

### VDSL2 Compliant Total Failsafe® TFS® Station Protector Module

Three-Electrode  
Maximum Duty Gas Tube  
Fully Encapsulated  
Assembly

Provides Years of  
Superior Performance

Reduced Maintenance Cost  
Listed to UL 497



**Tii Technologies Inc.**

**Corporate Headquarters:**

141 Rodeo Drive  
Edgewood, NY 11717  
Phone: 631.789.5000  
Fax: 631.789.5063  
Toll Free: 888.844.4720  
sales@tiitech.com

www.tiitech.com



356L

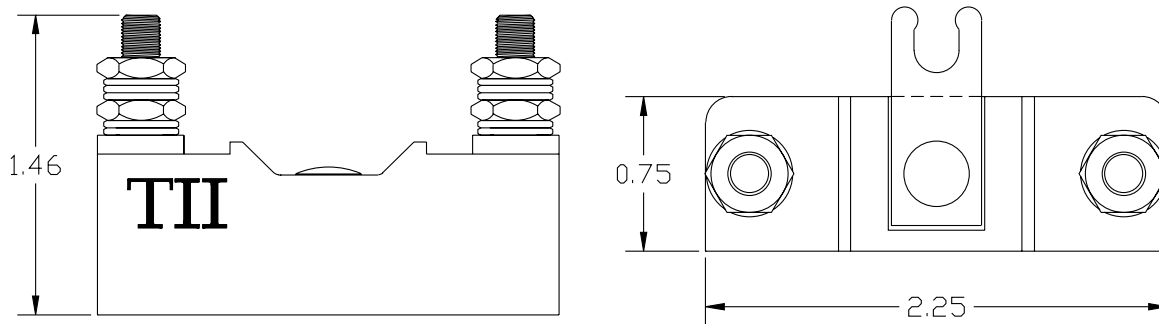
Tii's Total Failsafe® Station Protector Modules are the basic components of Tii Station Protectors, and the 356 VDSL2 Protector provides years of reliable protection against power surges and the damage they can cause.

#### KEY PRODUCT BENEFITS

- ▶ VDSL2 Compliant up to 30 mHz
- ▶ 356 module is entirely self-contained and consists of a Tii Heavy Duty three-electrode gas tube surge arrester and a failshort mechanism.
- ▶ The entire assembly is completely encapsulated to prevent moisture entry and environmental contamination.
- ▶ Comes with a corrosion-resistant ground strap and two threaded binding posts for service wire and station wire connection.
- ▶ Surge protection is provided in three ways:
  - 1) The gas tube operates on overvoltage surges and shunts the transient to the ground.
  - 2) The failshort device operates under power cross conditions to permanently and safely ground the line.
  - 3) The backup airgap provides surge protection in the unlikely event the gas tube arrester vents.
- ▶ 356 module may be employed in a variety of single and multiple pair protector and NID assemblies.

#### INDUSTRY STANDARDS

- ▶ Listed to UL 497 in the Signal Circuit Protector category when mounted in a Tii station protector or network interface device (NID)
- ▶ Surge handling and life capabilities exceed the objectives of Telcordia Generic Requirement GR-1361 CORE



Dimensions are in Inches

## SPECIFICATIONS

<b>DC Breakdown Voltage</b>	265 - 600 VDC
<b>DC Holdover: 5.25 v@260 ma 135 V@200 ma</b>	< 150V msec
<b>Maximum Single Impulse Discharge Current, 8/20 waveform</b>	20 kA 10 kA/Side Simultaneously
<b>Service Life</b>	
10 Amp, 10/1000µsec waveform	1500 Surges Min.
100 Amp, 10/1000µsec waveform	100 Surges Min.
300 Amp, 10/1000µsec waveform	50 Surges Min.
<b>AC Discharge Current</b>	
10 Amp, 1 Second	5 Operations Min.
1 Amp, 1 Second	60 Operations Min.
<b>*Capacitance</b>	<30 pF
<b>** Impulse Breakdown Voltage @ 100 V/µsec</b>	500 V Typical 750 V Max.
<b>*Insulation Resistance @ 100 vdc</b>	100 Megohms Min.
<b>*Line to Ground Test Method: IEEE 465.1, TELCORDIA GR-1361 CORE</b>	

## ORDERING INFORMATION

Model #	Description	Standard Pkg.
<b>356L</b>	VDSL2 Total Failsafe® TFS® Station Protector Module	50 pieces - 0.135 lbs. each
<b>356LT</b>	VDSL2 Total Failsafe® TFS® Station Protector Module with Tin-Plated Hardware	

\*L designates a protector module meeting the specific Bell System requirements.