

356-11-00

VDSL2 Compliant Station Protector with Demarcation Jack

Gel-Sealed IDC
Terminations for
Telco and Customer Wiring

Three-Electrode Heavy Duty
Balanced Gas Tube

Fully Encapsulated
Assembly

Reduced Maintenance Cost
Listed to UL 497

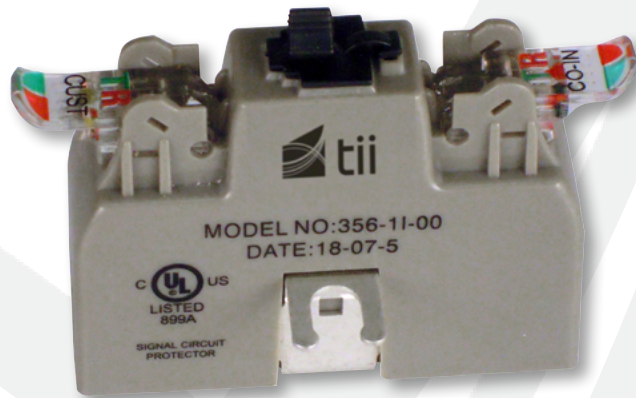


Tii Technologies Inc.

Corporate Headquarters:

141 Rodeo Drive
Edgewood, NY 11717
Phone: 631.789.5000
Fax: 631.789.5063
Toll Free: 888.844.4720
sales@tiitech.com

www.tiitech.com



356-11-00

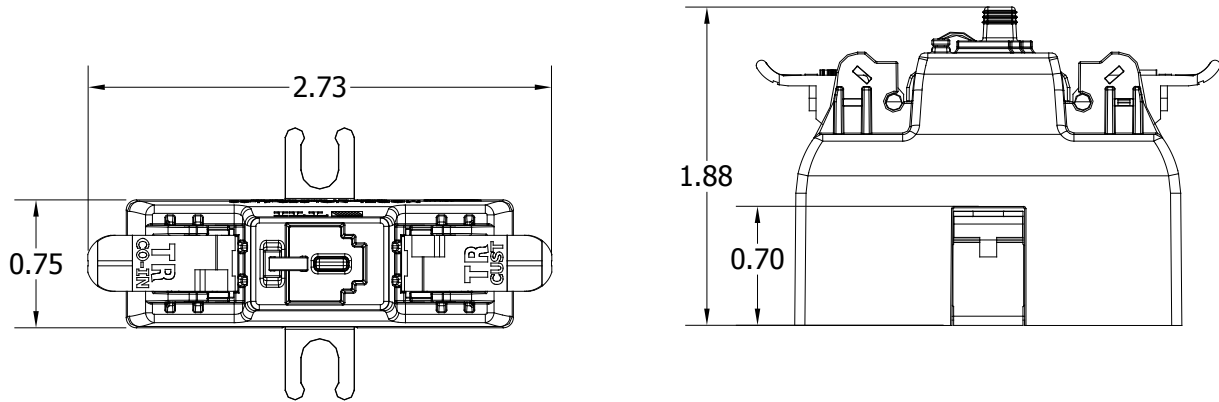
The 356-11-00 Protector Module combines the 356 Heavy Duty Protector with Tii's gel-filled RJ-11 Auto-Jack® and gel-filled IDC terminations to provide years of reliable protection against power surges and lightning induced surges.

KEY PRODUCT BENEFITS

- ▶ VDSL2 compliant up to 30MHz
- ▶ The 356-11-00 module is entirely self-contained and consists of a Tii Heavy Duty three-electrode gas tube surge arrester, a failshort mechanism, IDC connections for Telco and customer wiring, and an RJ-11 jack as a demarcation.
- ▶ Entire assembly is completely encapsulated to prevent moisture entry and environmental contamination
- ▶ Includes a corrosion-resistant ground strap, two gel-filled IDC rockers for inside wire termination and station wire connection, and a gel-filled Tii Auto-Jack® for demarcation
- ▶ Surge protection is provided in the following ways:
 - 1) The gas tube responds to overvoltage surges and shunts the transient voltage to ground.
 - 2) The failshort device operates under power cross conditions to permanently and safely ground the line
- ▶ The 356-11-00 module may be deployed in a variety of listed single and multiple pair enclosures

INDUSTRY STANDARDS

- ▶ Listed to UL 497 in the Signal Circuit Protector category when mounted in a Tii station protector or network interface device (NID)
- ▶ Surge handling and life capabilities exceed the objectives of Telcordia Generic Requirement GR-1361 CORE
- ▶ Listed per UL 1863 and applicable Canadian standards by US (CUL US)



Dimensions are in Inches

SPECIFICATIONS

DC Breakdown Voltage	265 - 600 vdc
DC Holdover: 52.5 V@260 ma 135 V@200 ma	< 150 V msec
Maximum Single Impulse Discharge Current, 8/20 waveform	20 kA 10 kA/Side Simultaneously
Service Life	
10 Amp, 10/1000µsec waveform	1500 Surges Min.
100 Amp, 10/1000µsec waveform	100 Surges Min.
300 Amp, 10/1000µsec waveform	50 Surges Min.
AC Discharge Current	
10 Amp, 1 Second	5 Operations Min.
1 Amp, 1 Second	60 Operations Min.
*Capacitance	<30 pF
** Impulse Breakdown Voltage @ 100 V/µsec	500 V Typical 750 V Max.
*Insulation Resistance @ 100 vdc	100 Megohms Min.
*Line to Ground Test Method: IEEE 465.1, TELCORDIA GR-1361 CORE	

ORDERING INFORMATION

Model No.	Description
356-11-00	VDSL2 Compliant Station Protector with Demarcation Jack