

355M

Maximum Duty Total Failsafe® TFS® Station Protector Module

Three-Electrode
Maximum Duty Gas Tube
Fully Encapsulated Assembly
Provides Years of
Superior Performance
Reduced Maintenance Cost
Listed to UL 497



Tii's Total Failsafe® Station Protector Modules are the basic components of Tii Station Protectors, and the 355M Maximum Duty Protector provides years of reliable protection against power surges and the damage they can cause.

KEY PRODUCT BENEFITS

- ▶ 355M module is entirely self-contained and consists of a Maximum Duty three-electrode gas tube surge arrester, a failshort mechanism, and a backup airgap
- ▶ Entire assembly is completely encapsulated to prevent moisture entry and environmental contamination
- ▶ Comes with a corrosion-resistant ground strap and two threaded binding posts for service wire and station wire connection
- ▶ Surge protection is provided in three ways:
 1. The gas tube operates on over-voltage surges and shunts the transient to ground
 2. The failshort device operates under power cross conditions to permanently ground the line
 3. The backup airgap provides surge protection in the unlikely event should the gas tube arrester vent
- ▶ 355M module may be employed in a variety of single and multiple pair protector and network interface device assemblies
- ▶ Gas tube recovers after a surge and remains ready for continued normal operation for many years, reducing maintenance cost over the life of an installation

INDUSTRY STANDARDS

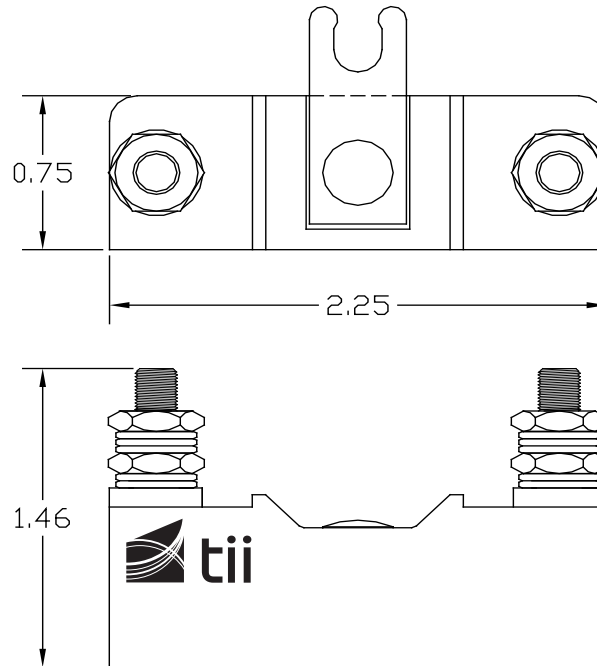
- ▶ Listed to UL 497 in the Signal Circuit Protector category when mounted in a Tii Station Protector or Network Interface Device (NID)
- ▶ 355M module is accepted as Maximum Duty by RUS when tested to the requirements of PE-80



Tii Technologies Inc.

Corporate Headquarters:
141 Rodeo Drive
Edgewood, NY 11717
Phone: 631.789.5000 • Fax: 631.789.5063
Toll Free: 888.844.4720
sales@tiitech.com

www.tiitech.com



Dimensions are in Inches

SPECIFICATIONS

DC Breakdown Voltage	300 - 500V DC
DC Holdover:	150V DC @200 mA <150mS
Maximum Single Impulse Discharge Current, 8/20 waveform	40kA 20kA/Side Simultaneously
Service Life: 1000A, 10/1000 Waveshape at 1 min. intervals each	1000 Surges Minimum Polarity 500A On Each Side to Ground Simultaneously
AC Discharge Current 11 cycles, 60Hz	130A rms 65A On Each Side to Ground Simultaneously
Capacitance: Line to Ground Test Method IEEE 465.1, RUS PE-80	<30pF
Impulse Breakdown Voltage @100V/μsec	750V Maximum 500V Typical
Insulation Resistance @ 100V dc	1000 Megohms Minimum
Airgap Breakdown Voltage	Meets Requirements of UL 497

ORDERING INFORMATION

Model #	Description	Standard Pkg.
355M*	Maximum Duty Totel Failsafe® TFS® Station Protector Module	50 pieces - 0.135 lbs. each

*M designates a protector module meeting the RUS, PEG and other industry requirements. Patent No. 4,212,047