

STATION PROTECTORS

**344, 345,
348, 349**

Station Protectors

Fully Encapsulated Module

BIG MAC® Utility Enclosure

Expandable to Two-Pair

Reduces
Maintenance Costs

Listed to UL 497



Tii Technologies Inc.

Corporate Headquarters:

141 Rodeo Drive
Edgewood, NY 11717

Phone: 631.789.5000

Fax: 631.789.5063

Toll Free: 888.844.4720

sales@tiitech.com

www.tiitech.com



349-1LG

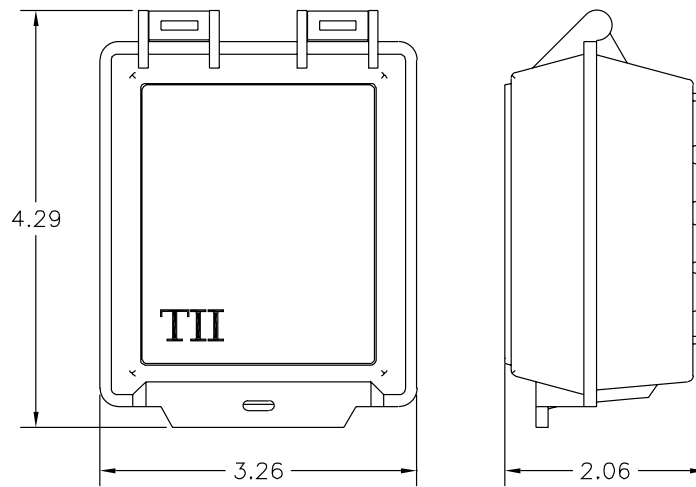
The Tii Totel Failsafe® Station Protectors are the basic components of tii Station Protectors and consist of a Tii Surge Protector module in a 160G BIG MAC® Utility Enclosure, with molded in-ground stud.

KEY PRODUCT BENEFITS

- ▶ The BIG MAC® Utility Enclosure is molded of durable, weather-resistant thermoplastic that is made to resist cracking, crazing, and discoloration.
- ▶ Cover is designed to fit securely to the base to provide maximum protection against environmental conditions and the intrusion of any foreign matter.
- ▶ For added security, the cover can be sealed in the field with a tie wrap or similar device.
- ▶ The base includes a flexible grommet to seal the wiring exit area, allowing room for drop, ground, and station wiring.
- ▶ A threaded stud provides a common ground point for grounding and bonding the shield of buried drop, and securing one or two tii protector modules.
- ▶ All Totel Failsafe® station protector housings may be ordered with one or two protector modules installed.
- ▶ A one-pair can be upgraded to a two-pair station protector by the simple addition of a second protector module. This saves both maintenance time and the need to either add a second single-pair station protector or replace it with a two-pair station protector.
- ▶ Tii Station protectors are engineered to provide the superior performance required in protecting today's technology.
- ▶ The 348 comes equipped with the 355 TFS® Maximum Duty three-electrode protector module installed.
- ▶ The 349 comes equipped with the 356 TFS® Maximum Duty three-electrode protector module installed.
- ▶ The 345 comes equipped with the 126 Heavy Duty two-electrode protector module installed.
- ▶ Other Tii station protector modules may be provided for the 344 enclosure. Please refer to the back of this data sheet for ordering information.

INDUSTRY STANDARDS

- ▶ Listed to UL 497



Dimensions are in Inches

ORDERING INFORMATION

| | XX | X |
|------------------|---|-----------------------|
| Model No. | STATION PROTECTORS | QTY OF MODULES |
| 344 | 00 = No Protectors 22 = 122 78 = AD-01W-LP 80 = ADX-L/R or W | 1 2 |
| Model No. | Description | |
| 345-1(*) | One Pair Totel Failsafe® TFS® Station Protector equipped with One (1) 126 Protector Module | |
| 345-2(*) | Two Pair Totel Failsafe® TFS® Station Protectors equipped with Two (2) 126 Protector Modules | |
| 348-1MG | One Pair Totel Failsafe® TFS® Station Protector equipped with One (1) 355M Protector Module | |
| 348-2MG | Two Pair Totel Failsafe® TFS® Station Protectors equipped with Two (2) 355M Protector Modules | |
| 349-1LG | One Pair Totel Failsafe® TFS® Station Protector equipped with One (1) 356L Protector Module | |
| 349-2LG | Two Pair Totel Failsafe® TFS® Station Protectors equipped with Two (2) 356L Protector Modules | |

Insert letter L or M in place of ().

"M" designates a protector module meeting RUS and PEG and other industry requirements.

"L" designates a protector module meeting specific Bell System requirements. Both "L" and "M" types are UL Listed.