

STATION PROTECTORS

**320, 321,
325, 326**

Total Failsafe® TFS® Station Protectors

Molded of Flame
Retardant Plastic Material

Comes Complete
with Cover and
Fastening Nut

Expandable to Two-Pair

Fully Encapsulated Module

Integral Failshort and
Airgap Backup Features

Listed to UL 497

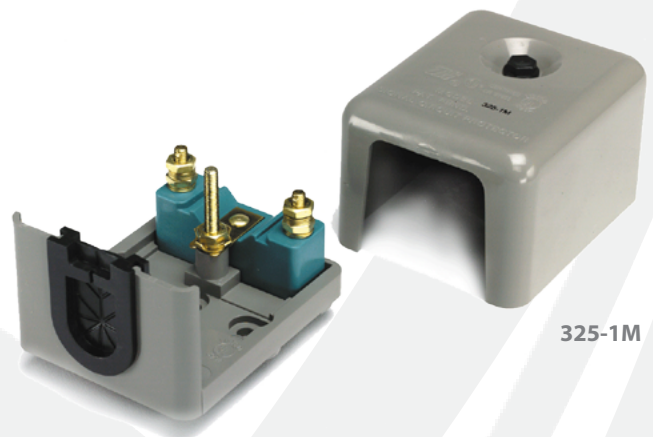


Tii Technologies Inc.

Corporate Headquarters:

141 Rodeo Drive
Edgewood, NY 11717
Phone: 631.789.5000
Fax: 631.789.5063
Toll Free: 888.844.4720
sales@tiitech.com

www.tiitech.com



325-1M

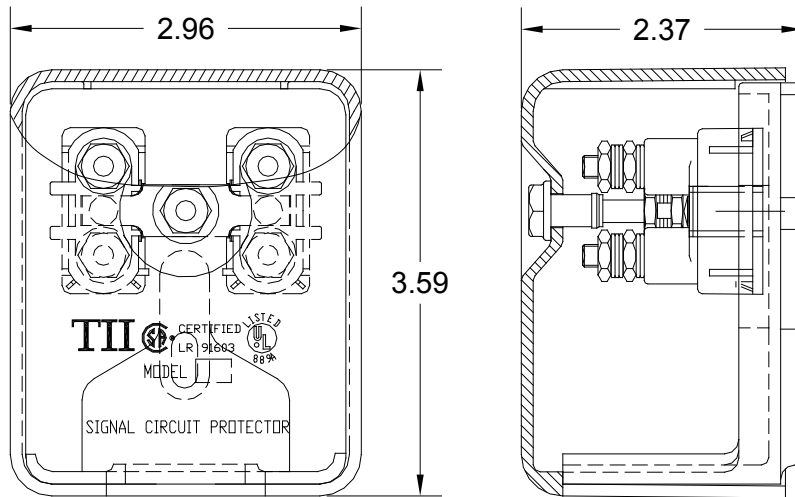
Tii's Total Failsafe® TFS® Station Protectors consist of a mounting base, protector module, grommet, and fitted cover with nylon fastening nut.

KEY PRODUCT BENEFITS

- ▶ The cover is molded from a flame-retardant plastic material and fits securely to the base for maximum protection against intrusion of insects and foreign matter.
- ▶ A captive nylon nut is provided to give a degree of tamper-proofing, and for easy installation and removal
- ▶ A large grommet in the base allows ample room for drop, ground and station wiring to enter and exit the protector
- ▶ A ground stud is centrally located for grounding and bonding the shield of buried drop, as well as to secure the module and cover
- ▶ The 325 comes equipped with the 355 TFS® Maximum Duty three-electrode protector module installed
- ▶ The 326 comes equipped with the 356 TFS® Heavy Duty three-electrode protector module installed
- ▶ The tii 321 comes equipped with the 126 TFS® Heavy Duty two-electrode protector module installed.
- ▶ The protector base has both vertical and horizontal module wells. The 126 module is normally mounted in the right side vertical well. The left well can be used to mount a second 126 module for two-pair protection. The horizontal wells are provided for mounting the 355 Maximum Duty and 356 Heavy Duty three-electrode TFS® protector modules.
- ▶ Other Tii station protector modules may be provided in the 320 unit.
- ▶ Units may be ordered with one or two protector modules installed.
- ▶ A one-pair station protector can be upgraded to a two-pair station protector simply by adding a second module. This saves both maintenance time and the need to either add a second single-pair station protector or replace it with a two-pair station protector.
- ▶ Tii station protectors are designed for service in all environments, giving many years of low maintenance while providing a high level of protection.

INDUSTRY STANDARDS

- ▶ Telcordia GR-1361-CORE
- ▶ Listed to UL 497



Dimensions are in Inches

ORDERING INFORMATION

Model No.	Description																				
320-(XX)-1	XX = Station Protectors 72 = AD-02W-FS																				
320-(XX)-2	22 = 122 73 = AD-M2-W-FS		51 = 127M 76 = AD-03W-FS		71 = AD-01W-FS 78 = AD-01W-LP	321-1-(*)	One Pair Heavy Duty Station Protector Equipped with One (1) 126 Protector Module [◊]	321-2-(*)	Two Pair Heavy Duty Station Protector Equipped with Two (2) 126 Protector Modules [◊]	325-1M	One Pair Maximum Duty Station Protector Equipped with One (1) 355M Protector Module [◊]	325-2M	Two Pair Maximum Duty Station Protector Equipped with Two (2) 355M Protector Modules [◊]	325-1MT	One Pair Maximum Duty Station Protector Equipped with One (1) 355MT Protector Module [◊]	325-2MT	Two Pair Maximum Duty Station Protector Equipped with Two (2) 355MT Protector Modules [◊]	326-1L	One Pair Heavy Duty Station Protector Equipped with One (1) 356 Protector Module [◊]	326-2L	Two Pair Heavy Duty Station Protector Equipped with Two (2) 356 Protector Modules [◊]
	51 = 127M 76 = AD-03W-FS		71 = AD-01W-FS 78 = AD-01W-LP	321-1-(*)	One Pair Heavy Duty Station Protector Equipped with One (1) 126 Protector Module [◊]	321-2-(*)	Two Pair Heavy Duty Station Protector Equipped with Two (2) 126 Protector Modules [◊]	325-1M	One Pair Maximum Duty Station Protector Equipped with One (1) 355M Protector Module [◊]	325-2M	Two Pair Maximum Duty Station Protector Equipped with Two (2) 355M Protector Modules [◊]	325-1MT	One Pair Maximum Duty Station Protector Equipped with One (1) 355MT Protector Module [◊]	325-2MT	Two Pair Maximum Duty Station Protector Equipped with Two (2) 355MT Protector Modules [◊]	326-1L	One Pair Heavy Duty Station Protector Equipped with One (1) 356 Protector Module [◊]	326-2L	Two Pair Heavy Duty Station Protector Equipped with Two (2) 356 Protector Modules [◊]		
	71 = AD-01W-FS 78 = AD-01W-LP																				
321-1-(*)	One Pair Heavy Duty Station Protector Equipped with One (1) 126 Protector Module [◊]																				
321-2-(*)	Two Pair Heavy Duty Station Protector Equipped with Two (2) 126 Protector Modules [◊]																				
325-1M	One Pair Maximum Duty Station Protector Equipped with One (1) 355M Protector Module [◊]																				
325-2M	Two Pair Maximum Duty Station Protector Equipped with Two (2) 355M Protector Modules [◊]																				
325-1MT	One Pair Maximum Duty Station Protector Equipped with One (1) 355MT Protector Module [◊]																				
325-2MT	Two Pair Maximum Duty Station Protector Equipped with Two (2) 355MT Protector Modules [◊]																				
326-1L	One Pair Heavy Duty Station Protector Equipped with One (1) 356 Protector Module [◊]																				
326-2L	Two Pair Heavy Duty Station Protector Equipped with Two (2) 356 Protector Modules [◊]																				

* Insert letter L or M in place of (*)

"L" designates a protector module meeting specific Bell System requirements.

"M" designates a protector module meeting RUS and PEG and other industry requirements.

Both "L" and "M" types are UL Listed.

[◊] Please refer to the respective data sheets for description and specifications of Tii's TFS® Total Failsafe® Protector Module