

## 315 Series

### *Outdoor Rated Station Protector*

Fully Encapsulated Module  
Outdoor Rated  
Utility Enclosure  
Reduces Maintenance Costs



The 315 station protector consists of a Tii surge protector module in an outdoor rated utility enclosure, with molded in-ground stud.

#### KEY PRODUCT BENEFITS

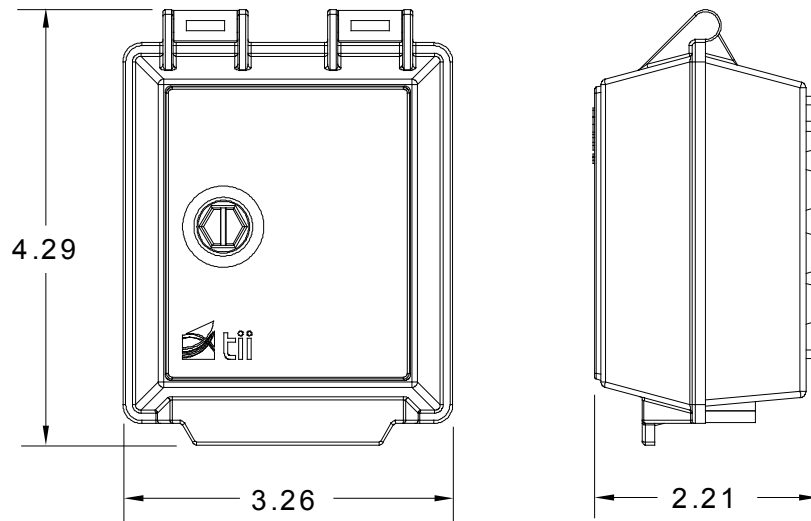
- ▶ The 315 Utility Enclosure is molded of durable, weather-resistant thermoplastic that is made to resist cracking, crazing, and discoloration.
- ▶ Cover is designed to fit securely to the base to provide maximum protection against environmental conditions and the intrusion of any foreign matter.
- ▶ The base includes a flexible grommet to seal the wiring exit area, allowing room for drop, ground, and station wiring.
- ▶ A threaded stud provides a common ground point for grounding and bonding the shield of buried drop, and securing one or two Tii protector modules.
- ▶ Tii Station protectors are engineered to provide the superior performance required in protecting today's technology.
- ▶ The 315 comes equipped with the Tii Micro Angle Driver® 260V±10% three-electrode protector module installed.
- ▶ Other Tii station protector modules may be provided for the 315 enclosure. Please refer to the back of this data sheet for ordering information.



#### Tii Technologies Inc.

**Corporate Headquarters:**  
141 Rodeo Drive  
Edgewood, NY 11717  
Phone: 631.789.5000  
Fax: 631.789.5063  
Toll Free: 888.844.4720  
sales@tiitech.com

# 315 Series



Dimensions are in Inches

## SPECIFICATIONS

DC Breakdown Voltage @ 100 V/sec (AD-06W-LP2, AD-07W-FS2)	260V $\pm$ 10%, 230V $\pm$ 20%
Impulse Breakdown Voltage @ 1KV/ $\mu$ s	$\leq$ 750V
Insulation Resistance @ 100V DC	$\geq$ 10G $\Omega$
DC Holdover @ 135V	< 150ms
Capacitance @ 1 KHz	$\leq$ 3pF
AC Discharge Current 50HZ, 1 Second:	20A (per side 10A)
Impulse Current Life Test 10/1000 $\mu$ s, 300 Applications	200A Peak
8/20 $\mu$ s, 10 Applications	20KA peak (per side 10KA)
Fail-safe reaction time at 10A (per side 5A)	$\leq$ 5sec

## ORDERING INFORMATION

Model No.	Description
315-90-1	One Pair Station Protector with an AD-06W-LP2
315-91-1	One Pair Station Protector with an AD-07W-FS2