

3100 COCOT

*(Customer Owned
Coin Operated
Telephone)
Network Interface
Devices*

Accommodates One or
Two Protector Modules

Network Interface with
Gel-Filled RJ-11
Plug and Jack

Offered with Optional
Electronics

Lockable Cover with
Telco Override

Listed to UL 497



Tii Technologies Inc.

Corporate Headquarters:

141 Rodeo Drive
Edgewood, NY 11717
Phone: 631.789.5000
Fax: 631.789.5063
Toll Free: 888.844.4720
sales@tiitech.com



The 3100 COCOT (Customer Owned Coin Operated Telephone) Network Interface Device Series consists of rugged indoor/outdoor enclosures, designed as a one- or two-pair network interface device for residential/commercial demarcation service.

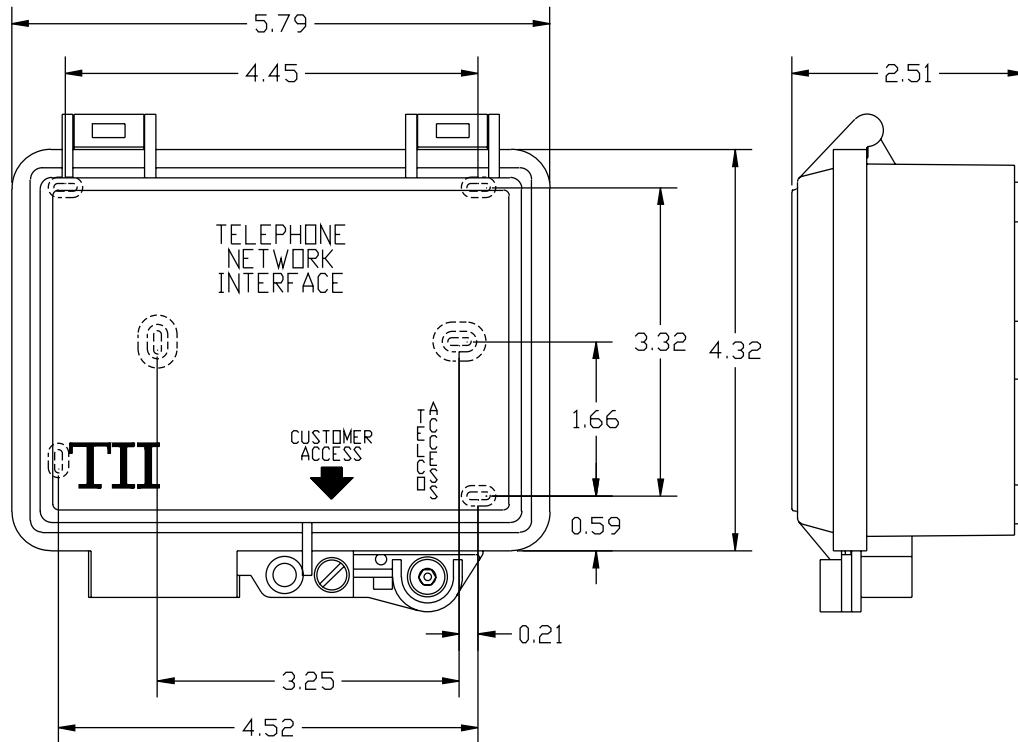
KEY PRODUCT BENEFITS

- ▶ Each device is equipped with surge protectors, as well as the standard features found in network interface devices
- ▶ Compact, low-profile design makes this enclosure suitable for mounting behind the access panel found in most pedestal type phones
- ▶ Magnetic mounting strips are available for mounting to steel plates found in pedestal type phone equipment
- ▶ Cover assembly consists of one or two gel-filled RJ-11 jacks and plugs for added environmental protection
- ▶ Modular expansion parts to upgrade from one to two pair are readily available and require minimal field time to install
- ▶ Provisions for optional electronics, such as tii 856 half-ringer or tii 831 RF filter are built into the Telco cover
- ▶ Telco cover assembly attaches to the mounting base with a captive nylon cover nut
- ▶ Includes standard network interface features, such as a hinged, lockable customer cover with telco bypass, separate telco and customer compartments and fully hinged covers

INDUSTRY STANDARDS

- ▶ Listed to UL 497

3100 COCOT Series



Dimensions are in Inches

ORDERING INFORMATION

31	X	X	X	-XX	-XX	-X
Housing	Plug & Jack	Security Screw	Station Protectors	Electronics	Additional Mounting Options	
1 = Housing with Interface For One Line	3 = Gel-Filled	H = Hex Head P = Pin-In-Head	00=None 01=356L 03=356M1 07=355M 15=126M 17=126L1 22=122 50=355MT 51=127M 53=356M2 54=356M3 71=AD-01W-FS 72=AD-02W-FS 73=AD-M2-W-FS 76=AD-03W-FS 78=AD-01W-LP	00 = None 01 = 1/2 Ringer 08 = RFI Filter	0 = None 1 = Rear Knockout with Grommet 2 = Magnetic Mounting Strips	
2 = Housing with Interface For Two Lines						

Expansion Parts 3100 Series 93 Bridge equipped with gel-filled RJ-11 plug and jack

Standard Pkg. 20 pieces

3113P - 0.94 lbs. each (enclosure only) 3123P 1 lb. each (enclosure only)