

3000

Indoor/Outdoor Ancillary Housing

Houses CAC 7600 and
Tii's 96 Footprint Modules

Houses Any Combination
of Splitter Line Modules
and/or Bridge Modules

Available with Screw
Terminals or Tool-less,
Sealed/IDC Rocker
Terminations

Molded of Durable,
Weather Resistant
Thermoplastic

Listed to UL 1863



Tii Technologies Inc.

Corporate Headquarters:

141 Rodeo Drive
Edgewood, NY 11717
Phone: 631.789.5000
Fax: 631.789.5063
Toll Free: 888.844.4720
sales@tiitech.com

www.tiitech.com



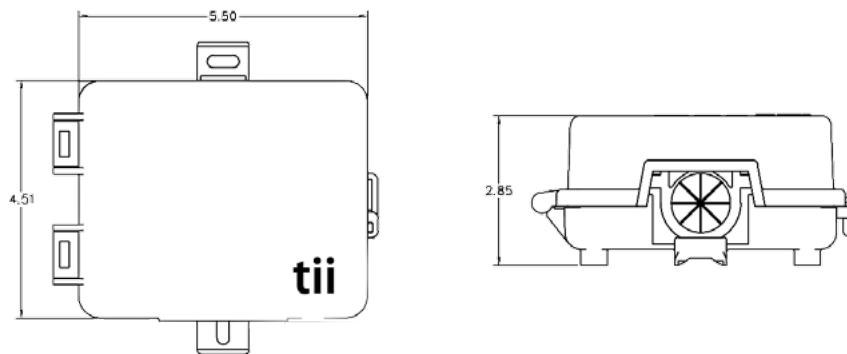
The 3000 Series Indoor/Outdoor housing is molded of durable, weather resistant thermoplastic that is made to resist cracking, crazing, and discoloration.

KEY PRODUCT BENEFITS

- ▶ Convenient side latch secures the hinged cover, protecting contents from moisture and debris
- ▶ The 3000 Series houses up to two customer-bridging modules to provide ample "home run" connections of customer wiring to service drops
- ▶ Connect to service with screw terminals or select Insulation Displacement Contacts (IDC) with easy to use rocker assemblies for tool-free wire connection
- ▶ For added security, the cover can be sealed with a cable tie.
- ▶ A flexible grommet in the base seals the wiring exit area, allowing room for drop, ground, and station wiring

INDUSTRY STANDARDS

- ▶ Listed to UL 1863



Dimensions are in Inches

ORDERING INFORMATION

(Note: 3000 Series can accommodate any combination of 2 Splitter Line Modules and/or Bridge Modules)

30X	X -	X -	XX -	XX
Housing Marking	Service Connections	No. of Line Modules	First Module Choice	Second Module Choice
Type of Module Description and Available Features				
0 = None	1 = Screw Terminals	0	90 Series	Bridging Module
1 = "DSL"	2 = IDC Rockers	1	A to P	Wiring Type: Screw Terminals; or Sealed IDC Terminations
		2		Input Terminations: None; or with Spade Connectors
			97 Series	Adapter: None fits Tii 3600/3700/763 Footprint; or with Adapter fits CAC 7600 Footprint
			Q to T	Screw Terminal Modules available with or without Cover
				ADSL POTS Splitter Line Modules
			95 Series	Wiring Type: Screw Terminals
				Input Terminations: None; or with Spade Connectors
			U to AB	Adapter: None fits tii 3600/3700/763 Footprint; or with Adapter fits CAC 7600 Footprint
				Input Terminations: None; or with Spade Connectors
			95S-1 Series AC to AJ	Customer Bridge Module E/W Auto-Jack® (fits Tii 3600/3700/763/9300/9600)
				Wiring Type: Screw Terminals
			96 Series AK to AL	Electronics: None; 1/2 Ringer; RFI Filter; or combination 1/2 Ringer & RFI Filter
				Sealed Customer Bridge Module E/W Auto-Jack
			Tii-96 Series AM to AT	Wiring Type: IDC Terminations
				Electronics: None; 1/2 Ringer; RFI Filter; or combination 1/2 Ringer & RFI Filter
				Input Terminations: None; or with Spade Connectors
				Customer Bridge Module E/W Auto-Jack (fits CAC 7600 Footprint)
				Wiring Type: IDC Terminations
				Electronics: None; 1/2 Ringer; RFI Filter; or Combination 1/2 Ringer & RFI Filter
				Input Terminations: None; or with Spade Connectors

Example: 3011-2-A-AK

3011 = Housing marked "DSL" on outside cover; equipped with screw terminals

2 = Two Line Modules

A = 90-1, Bridging Module with screw terminals

AK = 96-00 ADSL POTS Splitter Module with IDC Terminations and Auto-Jack® Gel Sealed

Please call Tii Customer Service for Alpha Option designation of line modules.