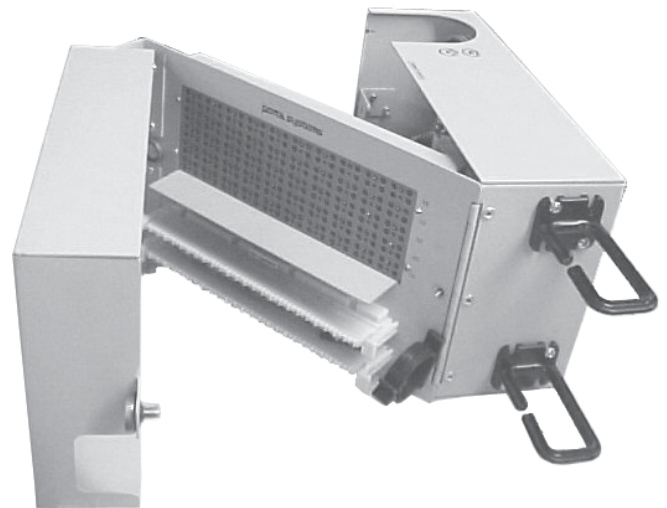


At the point of demarcation, Building Entrance Terminals, or BET's, safeguard communication equipment from damaging electrical surges that may get onto those incoming lines.

## FEATURES & BENEFITS

- UL 497 Listed for primary and secondary protection
- 110 input and output
- Available with a variety of termination choices, and in 25, 50 and 100-pair configurations
- Manufactured from 18 gauge, epoxy powder coated steel
- Splice chamber for input cable
- Uses industry standard 5-pin protector modules
- AQL Incoming Inspection Process
- ISO 9001:2000 registered facility
- Operating Temperature: -13°F to 149°F (-25°C to 65°C)



## ORDERING INFORMATION

Model#	Pair Count	Input	Output	Modules	Module Model#	Cover
24050-110-M110C	50	110	110	None	NA	Yes
24050-110-M110PC	50	110	110	230V Gas Tube	175BCXN-230	Yes

24050-110-M110C

5-PIN PRODUCTS

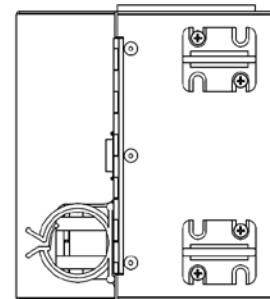
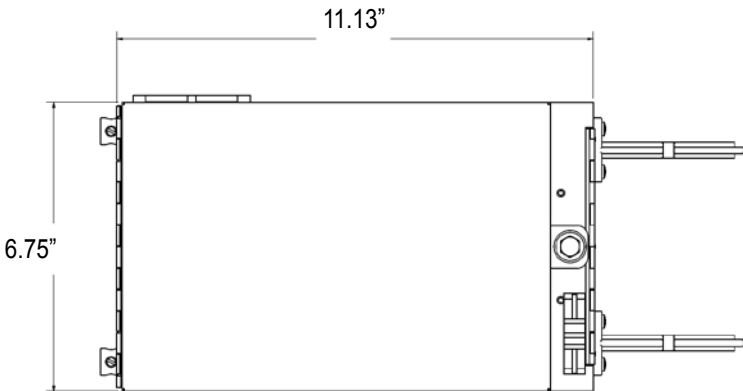
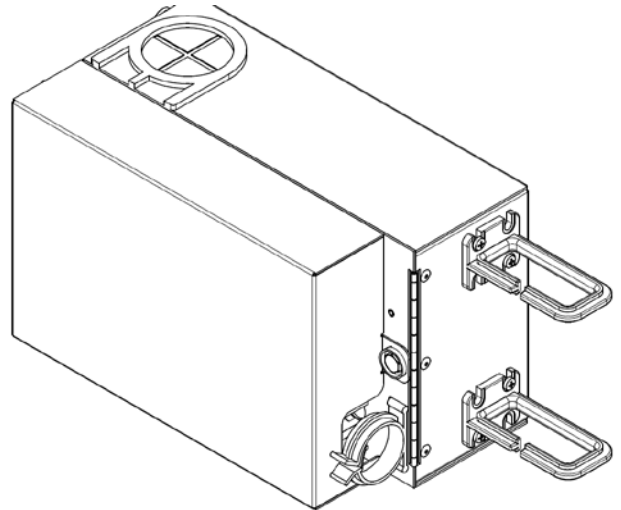
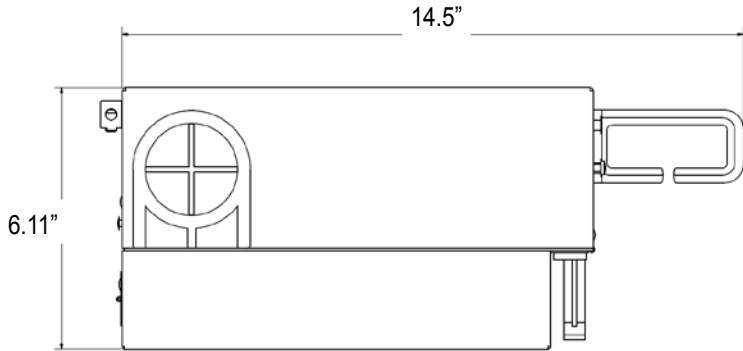
BUILDING ENTRANCE TERMINALS



110 Termination



MECHANICAL SPECIFICATIONS FOR 24050-110-M110 BUILDING ENTRANCE TERMINAL:



Pair Count	Dimensions (height x width x depth)	Weight (approx.)*
50 PAIR	6.75" x 14.5" x 6.11" (17.2 cm x 36.8 cm x 15.5 cm)	15 lbs.

\* Weight - Add approx 0.5 oz per installed module.



For more information contact:  
 141 Rodeo Dr.  
 Edgewood, NY 11717  
 T. 631.789.5000  
 Toll Free 888.844.4720  
 F. 631.789.5063  
 sales@tiinettech.com  
 www.tiinettech.com