

231

Coaxial Satellite Dish Surge Protectors

Transparent to Satellite
Dish Signal Transmission

Incorporates Solid State
Coaxial Surge Protection

Available in One Line
and Two Line Protection
Configurations

Equipped with a Grounding
Lug for up to Size 10 Wire

Listed to UL 497B



Tii Technologies Inc.

Corporate Headquarters:

141 Rodeo Drive
Edgewood, NY 11717

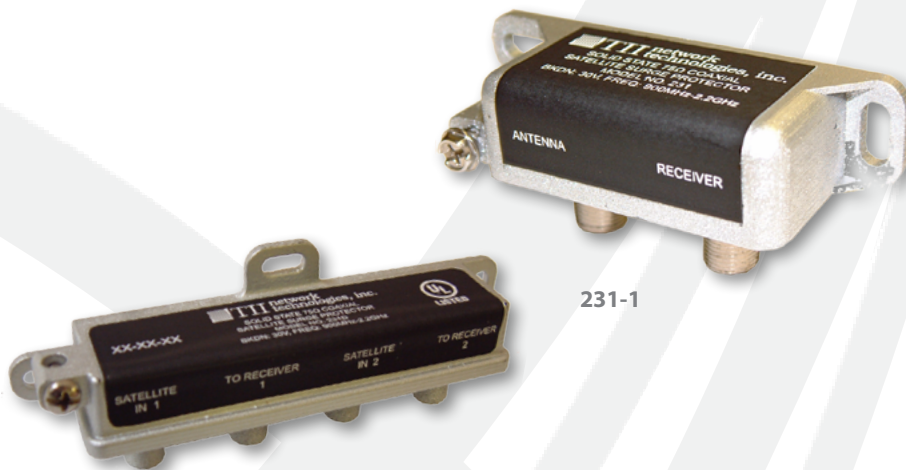
Phone: 631.789.5000

Fax: 631.789.5063

Toll Free: 888.844.4720

sales@tiitech.com

www.tiitech.com



231-2

231-1

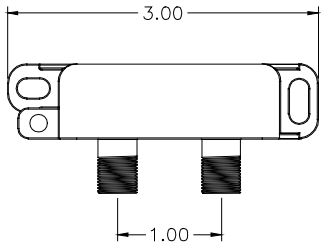
The 231 Series Coaxial Surge Protectors are specifically designed for satellite dish installations. The 231 protects the satellite dish, the receiver and the antenna from lightning induced surges.

KEY PRODUCT BENEFITS

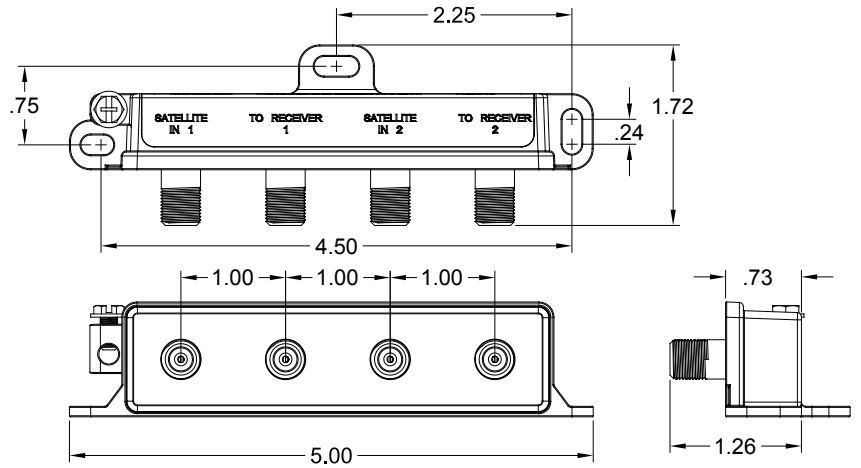
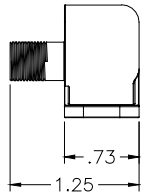
- ▶ Protects satellite receivers
- ▶ Unique strip line design is impedance matched to 75 ohms and is completely transparent to all signals transmitted from 0.9 to 2.2 GHz
- ▶ DC breakdown voltage of the protector is designed to protect against even the smallest transient surges, yet is compatible with powered satellite dish receivers
- ▶ Metallic housing provides EMI shielding
- ▶ Available with single or dual LNB connections
- ▶ Environmentally sealed against moisture and humidity

INDUSTRY STANDARDS

- ▶ Listed to UL 497C



231-1



231-2

Dimensions are in Inches

SPECIFICATIONS

SATELLITE CABLE PROTECTION

DC Breakdown	< 30 V
Surge Voltage @ 100V/ μ s	< 40 V
Insertion Loss (900MHz-2.2GHz)	< 0.5 dB
Return Loss (900MHz-2.2GHz)	18 dB Typical

ORDERING INFORMATION

Model No.	Description
231-1	One Line Coaxial Satellite Dish Surge Protector
231-2	Two Line Coaxial Satellite Dish Surge Protector