

210 BNC Series

In-Line[®] Coaxial Surge Protector

Improves Network Reliability and Survivability

Provides Lightning And Powerline Fault Protection

Features Integral Failshort Mechanism

Return Loss 30dB Typical

Insertion Loss Typical 0.2 dB

Bandwidth Range DC-50MHz

Transparent to Analog/Digital Bi-directional Signal Transmission

Listed to UL 497C



Tii Technologies Inc.

Corporate Headquarters:

141 Rodeo Drive
Edgewood, NY 11717
Phone: 631.789.5000 • Fax: 631.789.5063
Toll Free: 888.844.4720
sales@tiitech.com

Locations:

South March
Long March Industrial Estate
Daventry, Northamptonshire, NN11 4PH, UK
Phone: +44 (0) 1327 301853
Fax: +44 (0) 1327 879532
sales@tiitech.co.uk

Av. José de Escandón y Helguera
No. 21 Ciudad Industrial
Matamoros, Tamaulipas, C.P. 87494, México
Phone: 868.812.8011 • Fax: 868.812.8025
salesmx@tiitech.com.mx



210FF75B225111

Designed specifically for today's Broadband Coax distribution networks, Tii's state-of-the-art In-Line[®] Coaxial Surge Arrester protects personnel and equipment from lightning and power-induced excess voltage surges on coaxial cable circuits.

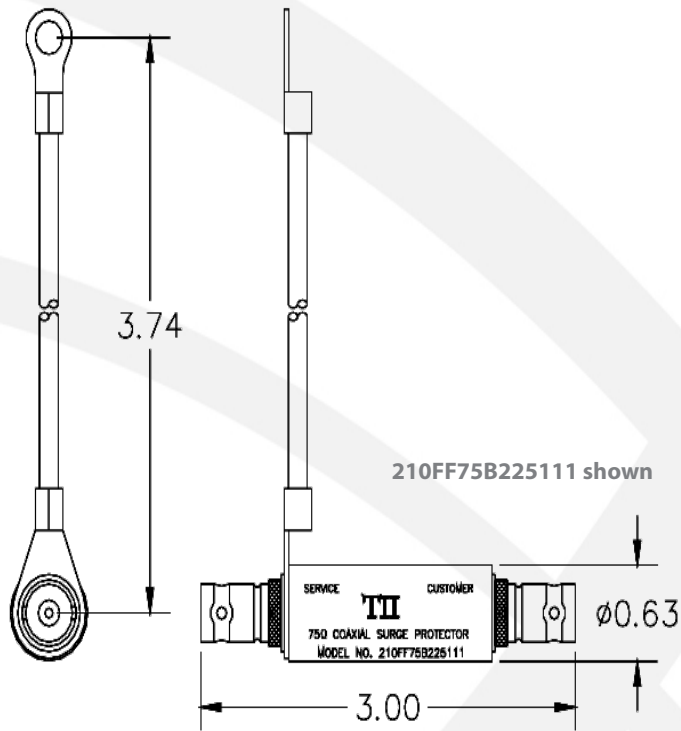
KEY PRODUCT BENEFITS

- ▶ Greatly increases network reliability and significantly improves system survivability
- ▶ Primary Coaxial surge protectors limit the magnitude of unwanted induced high-voltage surge currents that may appear on the center conductor of a coaxial cable
- ▶ Unique In-line[®] design is impedance matched to 75 ohms and is transparent to all analog or digital bi-directional signals transmitted at frequencies from DC to 50MHz
- ▶ Coaxial gas tube protector is equipped with an integral failshort mechanism to protect against power-cross surges
- ▶ The DC breakdown voltage of the protector provides superior protection against transient surges
- ▶ Robust design, with a metallic housing, provides adequate EMI shielding
- ▶ Housing is environmentally sealed against moisture and humidity that is normally encountered in above-ground outside plant environments
- ▶ Equipped with BNC type connectors

INDUSTRY STANDARDS

- ▶ Listed to UL 497C
- ▶ Meets and exceeds applicable Telcordia GR-2908 for Surge Protectors on Coaxial Lines at Customer Premise

210 BNC Series



Dimensions are in Inches

SPECIFICATIONS

Characteristic Impedance	75 Ohms
Frequency Range	DC-50MHz
Insertion Loss	< 0.3 dB / 0.2 dB Typical
Return Loss Typical	30 dB
VSWR	1:1.06
RFI	> 85 dB

ORDERING INFORMATION

Model No.	Description
210FF75B22511	Female/Female Connector Configuration, "BNC" Type Connector
210FF75B225111	Female/Female Connector Configuration, "BNC" Type Connector with 6" Inch #12 Ground Wire