

## 175- 75- Series

### 1-Pin and 5-Pin Gas Tube Protector Modules

Detent Position Facilitates Testing

Test Point Contacts Available

Balanced Three-Electrode Design

Fail-safe Mechanism

Prevents Costly  
Damage to Circuitry

Listed to UL 497 for  
Primary Protection

Telcordia GR-974



175-3C1EW-NL



#### Tii Technologies Inc.

##### Corporate Headquarters:

141 Rodeo Drive  
Edgewood, NY 11717  
Phone: 631.789.5000 • Fax: 631.789.5063  
Toll Free: 888.844.4720  
sales@tiitech.com

##### Locations:

South March  
Long March Industrial Estate  
Daventry, Northamptonshire, NN11 4PH, UK  
Phone: +44 (0) 1327 301853  
Fax: +44 (0) 1327 879532  
sales@tiitech.co.uk

Av. José de Escandón y Helguera  
No. 21 Ciudad Industrial  
Matamoros, Tamaulipas, C.P. 87494, México  
Phone: 868.812.8011 • Fax: 868.812.8025  
salesmx@tiitech.com.mx

www.tiitech.com

Tii gas tube modules are dependable plug-in devices that guard sensitive telecommunications systems from dangerous voltage surges. The gas tube utilizes a three-element design. This prevents destructive line-to-line over voltages, protecting PBXs and key systems in a way that conventional two-element gas tubes cannot.

These low capacitance gas tube protector modules provide premium protection for sensitive data communication equipment to frequencies up to 100MHz. The modules include heat activated fail-safe mechanism that provides additional protection against power crosses. Test points allow easy test access to the outside plant.

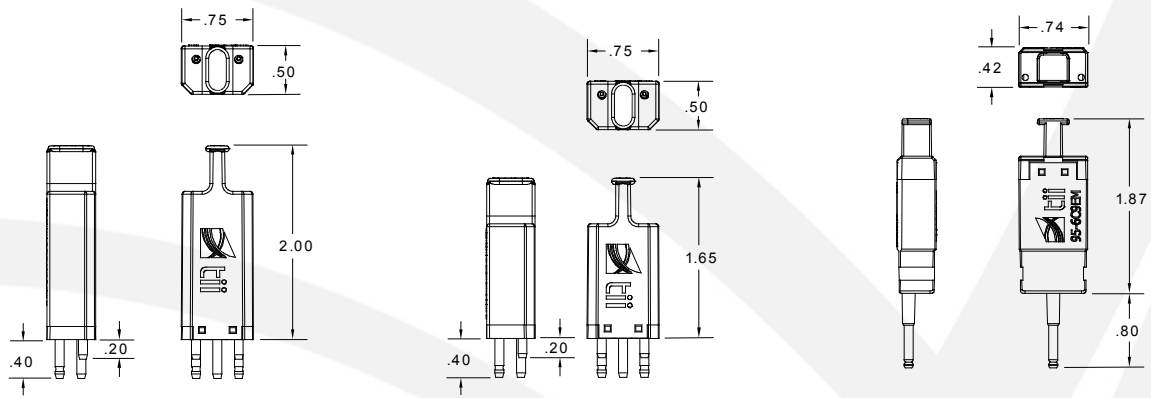
#### KEY PRODUCT BENEFITS

- ▶ Designed for line protection for sensitive voice and data equipment
- ▶ Protection for high-speed digital systems operating up to 100MHz
- ▶ Balanced three-electrode design
- ▶ Extends equipment life
- ▶ Protects personnel

#### INDUSTRY STANDARDS

- ▶ Listed to UL 497 for Primary Protection
- ▶ Telcordia GR-974

# 175- 75- Series



Dimensions are in Inches

## ELECTRICAL SPECIFICATIONS

	350 Volt	Test Parameters
DC Breakdown Voltage	280-420V	2000V/Sec max
Impulse Breakdown Voltage	<1000V	100V/μSec max
Capacitance	<10 pF	1 MHz, 0 VDC
Fail-safe Operation	100 Sec @ 0.5A 50 Sec @ 1.0A 15 Sec @ 5.0A 10 Sec @ 20.0A	
Line Series Resistance	NA	Line in/ Line Out
Maximum Single Surge	24kA	8/20 μSec max
Insulation Resistance (minimum)	100MΩ	50 VDC 100VDC
DC Holdover:		
52V	260mA	<150 mSec max
135V	200mA	to extinguish
150V	140mA	

## ORDERING INFORMATION

Model No.	Description
<b>75-3C1EW-N</b>	350V, Single Pin Protector Module with Black Body with Test Points
<b>175-3C1EW-N</b>	350V, 5-Pin Protector Module with 1.65" Black Body with Test Points
<b>175-3C1EW-NL</b>	350V, 5-Pin Protector Module with 2" Black Body with Test Points
<b>175-3B1EW-N</b>	350V, 5-Pin Protector Module with 1.65" Black Body without Test Points
<b>175-3B1EW-NL</b>	350V, 5-Pin Protector Module with 2" Black Body without Test Points

\* Remove (-N) for Gold Pins.