

173- 73- Series

1-Pin and 5-Pin Gas Tube Protector Modules

Detent Position Facilitates Testing

Test Point Contacts Available

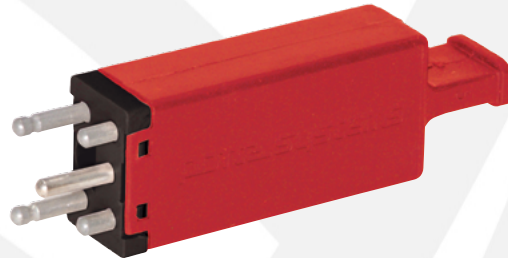
Balanced Three-Electrode Design

Fail-safe Mechanism

Prevents Costly
Damage to Circuitry

Listed to UL 497 for
Primary Protection

Telcordia GR-974



173-3C3EW-NL

Tii gas tube modules are dependable plug-in devices that guard sensitive telecommunications systems from dangerous voltage surges. The gas tube utilizes a three-element design. This prevents destructive line-to-line over voltages, protecting PBXs and key systems in a way that conventional two-element gas tubes cannot.

The modules include heat activated fail-safe mechanism that provides additional protection against power crosses. Test points allow easy test access to the outside plant.

KEY PRODUCT BENEFITS

- ▶ Designed for line protection for sensitive voice and data equipment
- ▶ Balanced three-electrode design
- ▶ Extends equipment life
- ▶ Protects personnel

INDUSTRY STANDARDS

- ▶ Listed to UL 497 for Primary Protection
- ▶ Telcordia GR-974



Tii Technologies Inc.

Corporate Headquarters:

141 Rodeo Drive
Edgewood, NY 11717

Phone: 631.789.5000

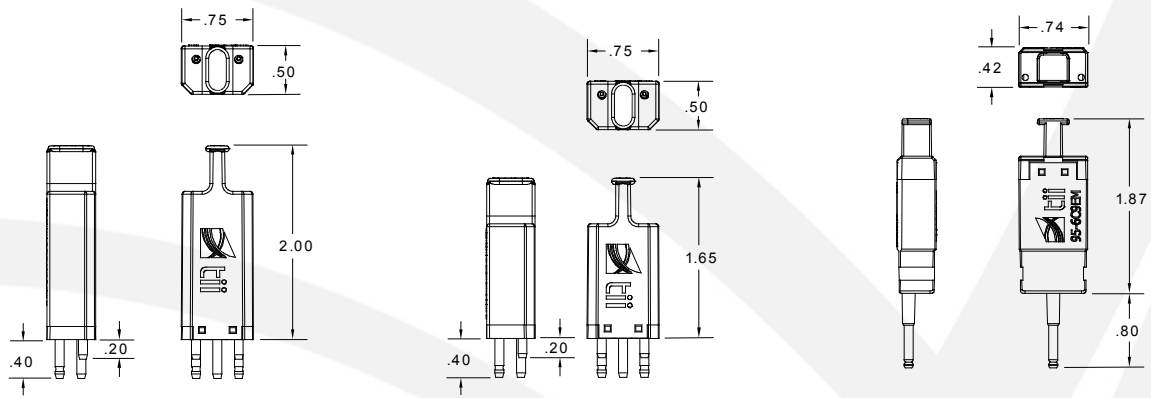
Fax: 631.789.5063

Toll Free: 888.844.4720

sales@tiitech.com

www.tiitech.com

173-73-Series



Dimensions are in Inches

ELECTRICAL SPECIFICATIONS

	350 Volt	Test Parameters
DC Breakdown Voltage	280-420V	2000V/Sec max
Impulse Breakdown Voltage	<1000V	100V/μSec max
Capacitance	10 pF	1 MHz, 0 VDC
Fail-safe Operation	100 Sec @ 0.5A 50 Sec @ 1.0A 15 Sec @ 5.0A 10 Sec @ 20.0A	
Line Series Resistance	NA	Line in/ Line Out
Maximum Single Surge	24kA	8/20 μSec max
Insulation Resistance (minimum)	100MΩ	50 VDC 100VDC
DC Holdover:		
52V	260mA	<150 mSec max
135V	200mA	to extinguish
150V	140mA	
Operating Temperature	-40° C to +65° C	

ORDERING INFORMATION

Model No.	Description
73-3C3EW-N	350V, Single Pin Protector Module with Red Body with Test Points
173-3C3EW-N	350V, 5-Pin Protector Module with 1.65" Red Body with Test Points
173-3C3EW-NL	350V, 5-Pin Protector Module with 2" Red Body with Test Points
173-3B3EW-N	350V, 5-Pin Protector Module with 1.65" Red Body without Test Points
173-3B3EW-NL	350V, 5-Pin Protector Module with 2" Red Body without Test Points

* Remove (-N) for Gold Pins.