

## 169F

### *Fiber Interface Device/ Slack Storage Unit*

Provides Demarcation Point  
Between Outdoor Fiber Drop  
and Customer Premise Cable

Terminates Up to Two Single  
Fiber Cables

Compact, Craft-Friendly Enclosure

Adapter Plate Designed for Optimal  
Bend Radius of Stored Cable

Includes Tie Down Feature for  
Proper Strain Relief of Customer  
Premise Cable

Rugged Plastic Housing for  
Indoor or Outdoor Applications

Meets GR-771 Requirements



#### **Tii Technologies Inc.**

##### **Corporate Headquarters:**

141 Rodeo Drive  
Edgewood, NY 11717  
Phone: 631.789.5000 • Fax: 631.789.5063  
Toll Free: 888.844.4720  
sales@tiitech.com

##### **Locations:**

South March  
Long March Industrial Estate  
Daventry, Northamptonshire, NN11 4PH, UK  
Phone: +44 (0) 1327 301853  
Fax: +44 (0) 1327 879532  
sales@tiitech.co.uk

Av. José de Escandón y Helguera  
No. 21 Ciudad Industrial  
Matamoros, Tamaulipas, C.P. 87494, México  
Phone: 868.812.8011 • Fax: 868.812.8025  
salesmx@tiitech.com.mx



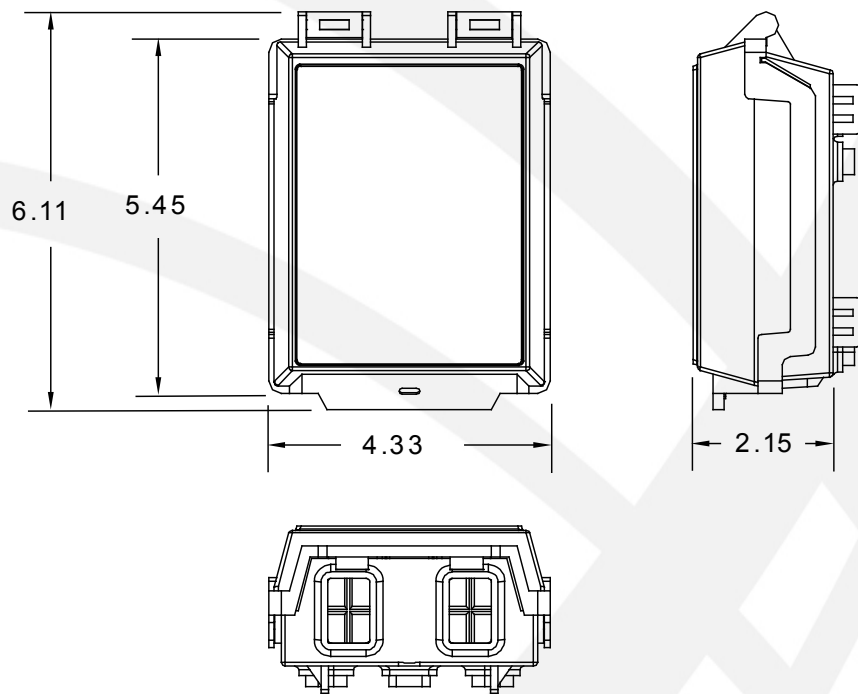
169F-01-01

The 169F Fiber Interface Device/Slack Storage Unit is a compact enclosure which is designed to provide a demarcation and transition point between fiber drop cable and the customer premise fiber cable. Designed as an adapter plate for the Tii 169 Sealed Wire Terminal Enclosure, the unit can be factory installed with industry standard single, dual or quad fiber adapters. The internal fiber routing system allows for proper bend radius and slack storage of bend insensitive fiber.

#### **KEY PRODUCT BENEFITS**

- ▶ Modular adapter plate snaps easily into existing Tii 169F enclosure
- ▶ Compact unit can terminate and store up to two single fiber cable drops
- ▶ Up to four SC fiber ports for OSP to customer fiber transition
- ▶ Unique design allows for proper bend radius and strain relief of fiber cable
- ▶ The 169F features patented scalloped sides designed to provide easy internal access to the enclosure
- ▶ Constructed of superior materials capable of withstanding harsh outdoor environments, including UV degradation, chemical exposure, and extreme temperatures
- ▶ Compact, low profile design for applications where space is limited

# 169F



*Dimensions are in Inches*

## ORDERING INFORMATION

### Model Number Matrix

<b>169F</b>	<b>- XX</b>	<b>- XX</b>
	<b>Adapter Type</b>	<b>No. of Ports</b>
	01 = SC-APC	01 = 1
	02 = SC-UPC	02 = 2
		03 = 4