

## 166 Series

### Wire Terminal Enclosures

Termination For  
Up To Six Pairs

Easy Installation

Accommodates  
Sealed Termination  
Cross-Connect Modules

Optional Ground  
Stud Available

Listed to UL 1863



166-12-2-2

166 Series Wire Terminal Enclosures are used to connect drop wire and bridle wire to cable or open wire.

#### KEY PRODUCT BENEFITS

- ▶ Molded of durable polymer material that is rugged and safe enough to be used as a station protector housing.
- ▶ Available with a variety of binding post terminations or sealed IDC termination modules
- ▶ Standard hardware configuration consists of three washers and one hex nut per stud/ground
- ▶ Can also be ordered with additional hardware consisting of six washers and two hex nuts per stud/ground
- ▶ Features scalloped sides designed to provide easy internal access
- ▶ Each enclosure has two wire entrance grommets and a snap-fit hinged cover with provisions for a tie wrap along with mounting holes for wall or pole mounting

#### INDUSTRY STANDARDS

- ▶ Listed to UL 1863

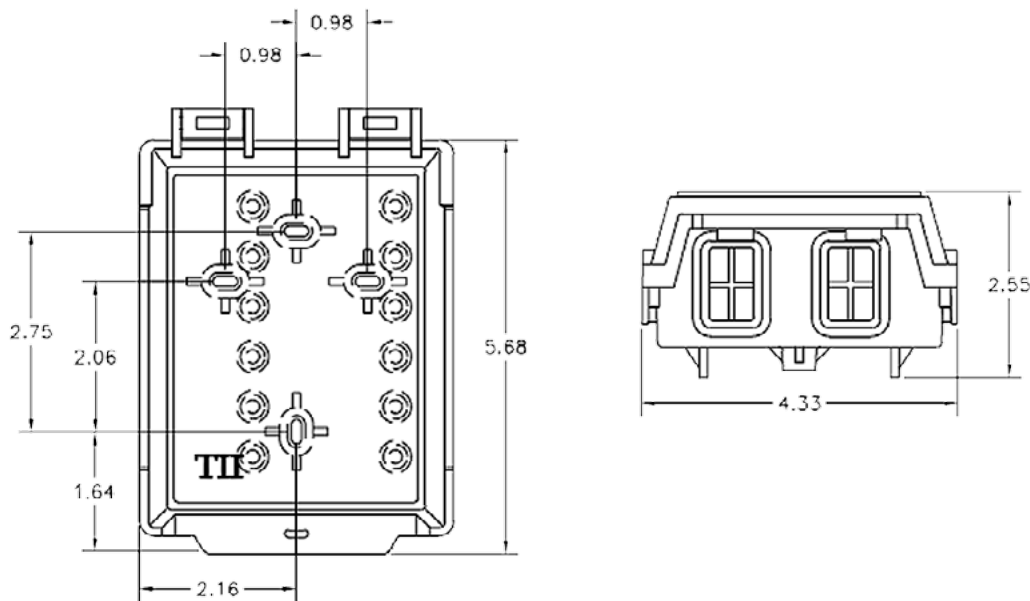


**Tii Technologies Inc.**

**Corporate Headquarters:**

141 Rodeo Drive  
Edgewood, NY 11717  
Phone: 631.789.5000  
Fax: 631.789.5063  
Toll Free: 888.844.4720  
sales@tiitech.com

# 166 Series



Dimensions are in Inches

## ORDERING INFORMATION

### Binding Post Wire Terminal Enclosure

166	—XX	—X	—X
	Number of Pairs Required	Ground Stud	Hardware
	00 - Empty (No Studs)	0 - No Ground Studs	0 - No Hardware
	12 - To Terminate 6 Pairs	2 - 1 Ground Stud	1 - Standard Hardware (6 washers, 1 hex nut)* 2 - Additional Hardware (6 washers, 2 hex nuts)* * per stud/ground

### Wire Terminal Enclosure Equipped with IDC Cross Connect Modules

166	—XX	—X
	Number of Pairs Required	Ground Stud
	79 - ADX-FL	1 - One
	78 - ADX	2 - Two

## COMMON CONFIGURATIONS

Model No.	Description
166-12-0-1	Wire Terminal Box with 12 #10 Studs to Terminate Six Pairs
166-12-2-1	Wire Terminal Box with 12 #10 Studs to Terminate Six Pairs and Ground Stud
166-12-2-2	Wire Terminal Box with 12 #10 Studs to Terminate Six Pairs and Ground Stud with Extra Hardware

*Note: Additional configurations are available based on volume requirements.  
This enclosure can also be provided with station protection modules installed (see 347 Series).*