

164-2

Outdoor Sealed Wire Terminal Enclosure for Indoor or Outdoor Applications

Available in Multiple Configurations

Utilizes Tii's Gel-Sealed IDC Rocker Design

Accommodates Sealed Termination Cross-Connect Modules

CAT-6 Compliant

Listed to UL 1863



Tii Technologies Inc.

Corporate Headquarters:

141 Rodeo Drive
Edgewood, NY 11717
Phone: 631.789.5000
Fax: 631.789.5063
Toll Free: 888.844.4720
sales@tiitech.com



164-2

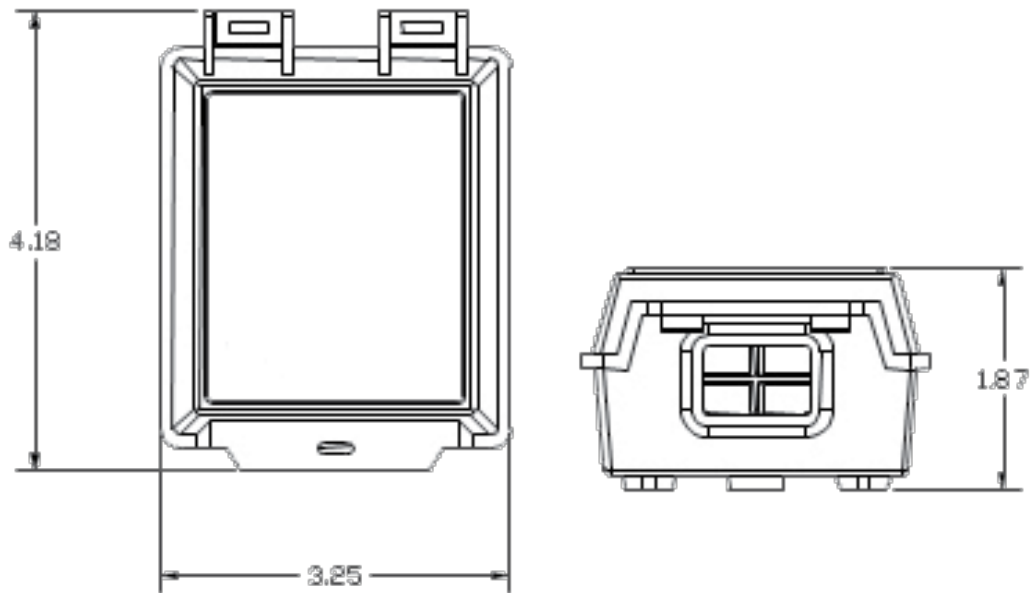
The 164-2 Outdoor Sealed Wire Terminal Enclosure accommodates the 67-2 Sealed Wire Terminal. The 67-2 is designed for applications requiring more than one parallel connection to a single tip-ring pair.

KEY PRODUCT BENEFITS

- ▶ The enclosure is molded of temperature and humidity-resistant thermoplastic, which resists cracking, crazing, and discoloration
- ▶ The cover interlocks with the base to protect the contents from any foreign matter
- ▶ Terminations are made to gel-sealed insulation displacement contacts (IDC) by means of convenient tool-less rocker assemblies. Wire stripping is not required
- ▶ Each enclosure has one wire entrance grommet and a snap-fit hinged cover with provisions for a tie wrap along with mounting holes for wall or pole mounting
- ▶ Compact, low-profile design fits into applications where space is limited.
- ▶ The 67-2 accepts 26 through 22 gauge solid conductor wire sizes

INDUSTRY STANDARDS

- ▶ Listed to UL 1863



Dimensions are in Inches

ORDERING INFORMATION

Model No.	Description
------------------	--------------------

164-2	Wire Terminal Housing Equipped with one (1) tii 67-2, 2 Pair Inputs, 2 Parallel Pair Outputs Sealed Wire Terminal
--------------	---