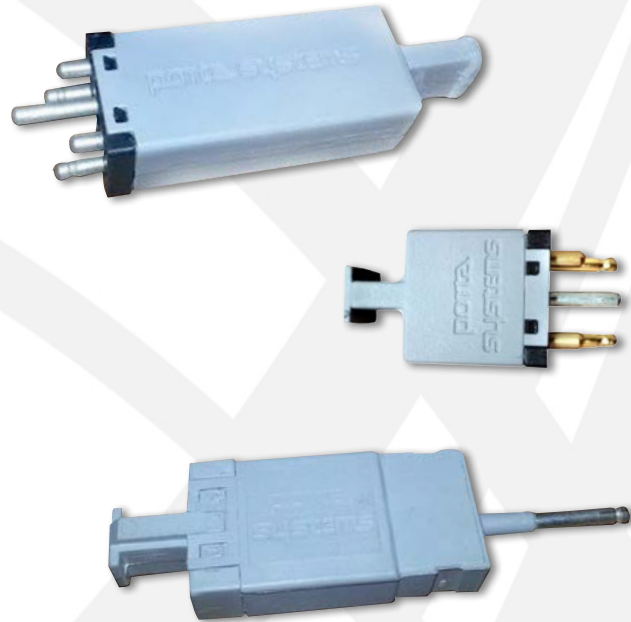


Five-Pin/Single-Pin Cut-Through & Special Function Module Series

Modules Used to Identify Special
Types of Telephony Lines

Typical Applications for
This Type of Module are for
Testing or Denying Service



These modules are cut-through, continuity only to bridge the Outside Plant (OSP) cable to the Central Office (CO) or Station equipment.



Tii Technologies Inc.

Corporate Headquarters:

141 Rodeo Drive
Edgewood, NY 11717
Phone: 631.789.5000 • Fax: 631.789.5063
Toll Free: 888.844.4720
sales@tiitech.com

Locations:

South March
Long March Industrial Estate
Daventry, Northamptonshire, NN11 4PH, UK
Phone: +44 (0) 1327 301853
Fax: +44 (0) 1327 879532
sales@tiitech.co.uk

Av. José de Escandón y Helguera
No. 21 Ciudad Industrial
Matamoros, Tamaulipas, C.P. 87494, México
Phone: 868.812.8011 • Fax: 868.812.8025
salesmx@tiitech.com.mx

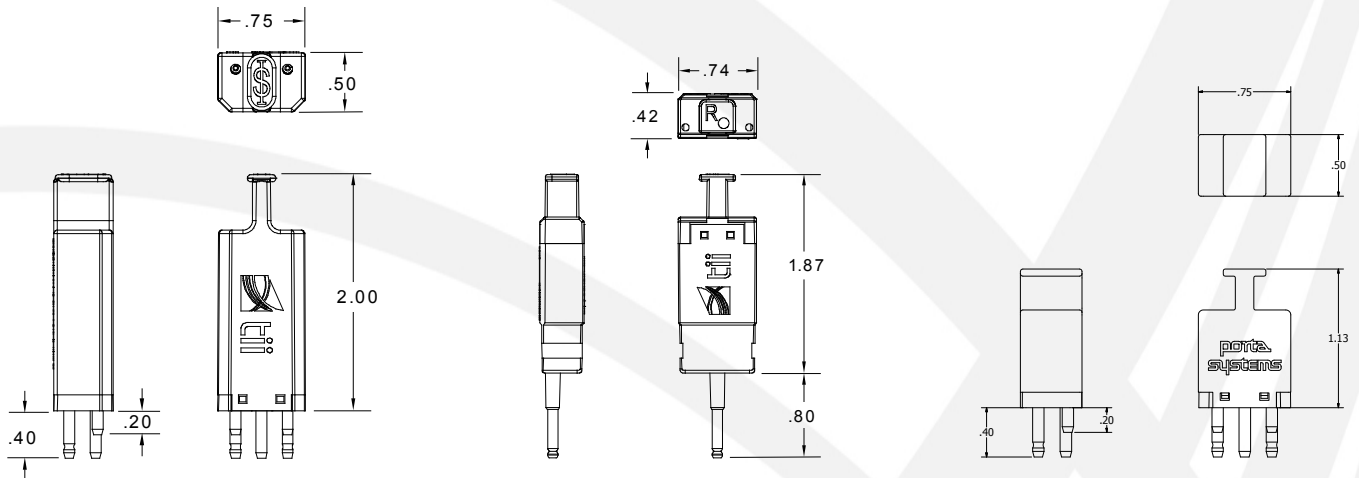
AVAILABLE MODULE TYPES

- ▶ Non-protecting cut-through module
- ▶ Denied service grounding module
- ▶ Special service module

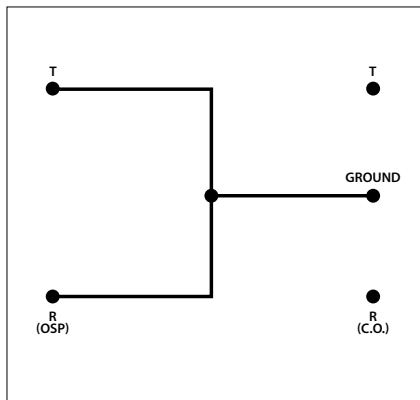
INDUSTRY STANDARDS

- ▶ Standard Central Office (CO) color coding

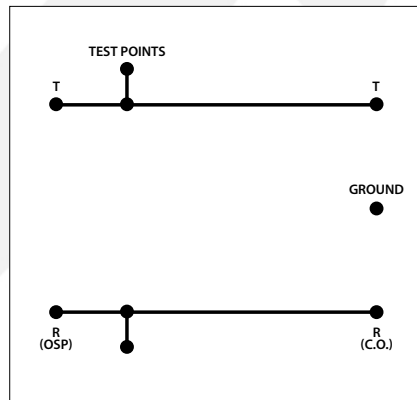
Cut-Through Modules



Dimensions are in Inches



OSP SHORT TO GND



DUMMY (CONDUCTING)

ORDERING INFORMATION

Model No.	Description
55BCN	Single-Pin Cut-Through Module
155BCN	Five-Pin Cut-Through Module
155SBCN	Five-Pin Cut-Through Module, Short Body
153SBAN	Five-Pin Cut-Through Module, Red, Short Body
156SBAN	Five-Pin Grounding Module, Green, Short Body