

115 Series

5-Pin Solid State Protector Modules

Detent Position
Facilitates Testing

Less Than 5 Nanoseconds
Response Time

Reduces Service Calls
and Repair Costs

Five-Pin Configuration
Compatible with Other
Manufacturers Equipment

Listed to UL 497 for
Primary Protection

Self-Resetting
Polymeric Type PTCs

Telcordia GR-974



115-6C1FSC-N

Tii Solid State Protector Modules provide premium high-speed protection for sensitive communication equipment. Internal test points allow easy access to outside plant.

KEY PRODUCT BENEFITS

- ▶ Available in 75V, 240V, and 300V
- ▶ Quick transient surge response time reduces harmful let-through voltage
- ▶ Designed to protect equipment and data from high voltage spikes
- ▶ Compatible with other manufacturers equipment
- ▶ Extends equipment life
- ▶ Protects personnel

INDUSTRY STANDARDS

- ▶ Listed to UL 497 for Primary Protection
- ▶ Telcordia GR-974



Tii Technologies Inc.

Corporate Headquarters:

141 Rodeo Drive
Edgewood, NY 11717

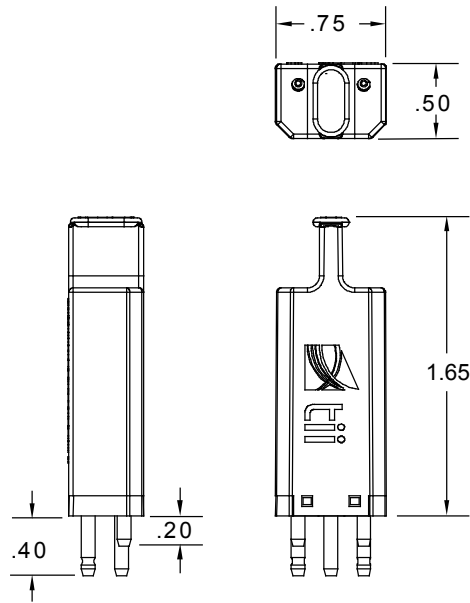
Phone: 631.789.5000

Fax: 631.789.5063

Toll Free: 888.844.4720

sales@tiitech.com

115 Series



Dimensions are in Inches

ELECTRICAL SPECIFICATIONS

	75 Volt	240 Volt	300 Volt	Test Parameters
DC Breakdown Voltage	60-95V	215-265V	265-345V	2000V/Sec max
Impulse Breakdown Voltage	60-95V	215-285V	265-360V	100V/μSec max
Clamping Time	<5n Sec	<5n Sec	<5n Sec	-
Capacitance (Maximum)	<100 pF	<100 pF	<100 pF	1 KHz, 0 VDC
Surge Endurance				
Number of Operations is Unlimited	100A/side	100A/side	100A/side	10/1000μ Sec max
Overcurrent Protection (PTC):				
Line in to Line Out Resistance			4 Ohms nominal	
Hold Current			0.15A	
Trip Current			0.30A	
Max Trip Current			1.0A within 5 secs	
Line Series Resistance	<4 ohm	<4 ohm	<4 ohm	Line in/Line out
Insulation Resistance (minimum)	100MΩ	100MΩ	100MΩ	50 VDC 100 VDC
DC Holdover:				
52V	260mA	60mA	260mA	20 mSec max to extinguish
135V	NA	200mA	200mA	
150V	NA	140mA	140mA	

ORDERING INFORMATION

Model No.	Description
115-6C1S75-N	75V, 5-Pin Protector Module with Black Body
115-6C1FSC-N	240V, 5-Pin Protector Module with Black Body
115-6C1ESC-N	300V, 5-Pin Protector Module with Black Body

* Remove (-N) for Gold Pins.