

## 113 Series

### 5-Pin Solid State Protector Modules

Detent Position Facilitates Testing

Less Than 5 Nanoseconds Response Time

Reduces Service Calls and Repair Costs

Five-Pin Configuration Compatible with Other Manufacturers Equipment

Listed to UL 497 for Primary Protection

Self-Resetting Polymeric Type PTCs  
Telcordia GR-975



113-6C3FSC-N

Tii-Porta Systems Solid State Protector Modules provide premium high-speed protection for sensitive communication equipment. Internal test points allow easy access to outside plant.



#### Tii Technologies Inc.

##### Corporate Headquarters:

141 Rodeo Drive  
Edgewood, NY 11717  
Phone: 631.789.5000 • Fax: 631.789.5063  
Toll Free: 888.844.4720  
sales@tiitech.com

##### Locations:

South March  
Long March Industrial Estate  
Daventry, Northamptonshire, NN11 4PH, UK  
Phone: +44 (0) 1327 301853  
Fax: +44 (0) 1327 879532  
sales@tiitech.co.uk

Av. José de Escandón y Helguera  
No. 21 Ciudad Industrial  
Matamoros, Tamaulipas, C.P. 87494, México  
Phone: 868.812.8011 • Fax: 868.812.8025  
salesmx@tiitech.com.mx

www.tiitech.com

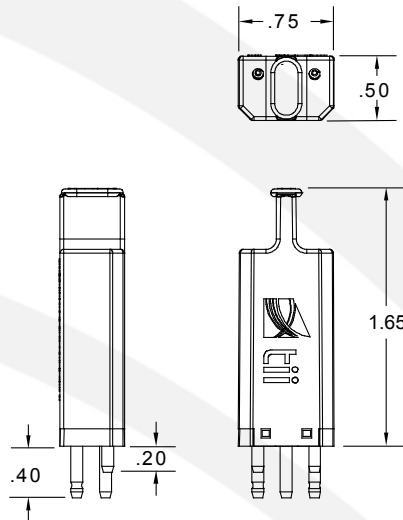
#### KEY PRODUCT BENEFITS

- ▶ Available in 75V, 240V, and 300V
- ▶ Quick transient surge response time reduces harmful let-through voltage
- ▶ Designed to protect equipment and data from high voltage spikes
- ▶ Compatible with other manufacturers equipment
- ▶ Extends equipment life
- ▶ Protects personnel

#### INDUSTRY STANDARDS

- ▶ Listed to UL 497 for Primary Protection
- ▶ Telcordia GR-975

# 113 Series Protector Modules



Dimensions are in Inches

## ELECTRICAL SPECIFICATIONS

	75 Volt	240 Volt	300 Volt	Test Parameters
DC Breakdown Voltage	60-95V	215-265V	265-345V	2000V/Sec max
Impulse Breakdown Voltage	60-95V	215-285V	265-360V	100V/μSec max
Clamping Time	<5n Sec	<5n Sec	<5n Sec	-
Capacitance (Maximum)	<100 pF	<100 pF	<100 pF	1 KHz, 0 VDC
Surge Endurance Number of Operations is Unlimited	100A/side	100A/side	100A/side	10/1000μ Sec max
Line Series Resistance	<4 ohm	<4 ohm	<4 ohm	Line in/Line out
Insulation Resistance (minimum)	100MΩ	100MΩ	100MΩ	50 VDC 100 VDC
DC Holdover:				
52V	260mA	260mA	260mA	20 mSec max to extinguish
135V	NA	200mA	200mA	
150V	NA	140mA	140mA	

## ORDERING INFORMATION

Model No.	Description
113-6C3S75-N	75V, 5-Pin Protector Module with Red Body
113-6C3FSC-N	240V, 5-Pin Protector Module with Red Body
113-6C3ESC-N	300V, 5-Pin Protector Module with Red Body

\* Remove (-N) for Gold Pins.