

103- 105-3C1ES-N, 103- 105-3C1FS-N

Solid State 240V and 300V Protector Modules

Five-Pin Configuration
Compatible with Other
Manufacturers Equipment

Extremely Low
Capacitance, Balanced
Overvoltage Protection

Fails "Safe" by Permanently
Shorting to Ground in
the Event of Sustained
Overvoltage

Minimizes Transmission
Loss at High Frequencies

Meets Telcordia
GR-974 Requirements
(Telcordia Analysis DA-1949)



Tii Technologies Inc.

Corporate Headquarters:
141 Rodeo Drive
Edgewood, NY 11717
Phone: 631.789.5000
Fax: 631.789.5063
Toll Free: 888.844.4720
sales@tiitech.com

www.tiitech.com



Tii's line of xDSL Solid State Protector Modules provides dependable protection for today's high speed communications networks. Balanced, ultralow capacitance, solid state circuitry minimizes noise and signal loss in high frequency networks.

The modules protect sensitive circuitry by responding to surges in nanoseconds. Breakdown voltage is tightly controlled by clamping precisely and dependably even after long repeated use. An integral fail-safe mechanism permanently shorts the protector to ground in the presence of sustained overvoltage.

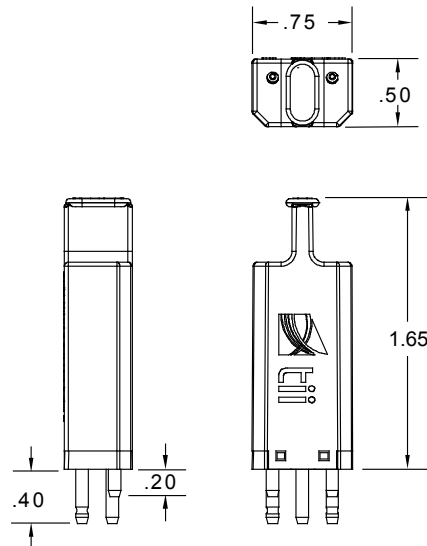
KEY PRODUCT BENEFITS

- ▶ Less than 5 nanoseconds response time with 240V Solid State protection element.
- ▶ Detent position facilitates testing
- ▶ Reduces service calls
- ▶ Corrosion resistant gold plated pins standard

INDUSTRY STANDARDS

- ▶ Listed to UL 497
- ▶ Meets Telcordia GR-974 Requirements (Telcordia Analysis DA-1949)

103- 105-3C1ES-N, 103- 1053C1FS-N



Dimensions are in Inches

SPECIFICATIONS

	240 Volt	300 Volt	Test Parameters
DC Breakdown Voltage	215-265V	265-345V	2000V/Sec max
Impulse Breakdown Voltage	215-285V	265-360V	100V/μSec max
Clamping Time	<5n Sec	<5n Sec	-
Capacitance (Maximum)	<100 pF	<100 pF	1 KHz, 0 VDC
Surge Endurance			
Number of Operations is Unlimited	100A/side	100A/side	10/1000μ Sec max
Insulation Resistance (minimum)	100MΩ	100MΩ	50 VDC 100 VDC
DC Holdover:			
52V	260mA	260mA	20 mSec max to extinguish
135V	200mA	200mA	
150V	140mA	140mA	
Operating Temperature	-40° C to +65° C		

ORDERING INFORMATION

Model No.	Description
103-3C3FS-N	240V, 5-Pin Protector Module with Red Body
103-3C3ES-N	300V, 5-Pin Protector Module with Red Body
105-3C1FS-N	240V, 5-Pin Protector Module with Black Body
105-3C1ES-N	300V, 5-Pin Protector Module with Black Body

* Remove (-N) for Gold Pins.